

BURES CONSULTANTS, INC.

297 Front Street • Berea, Ohio 44017

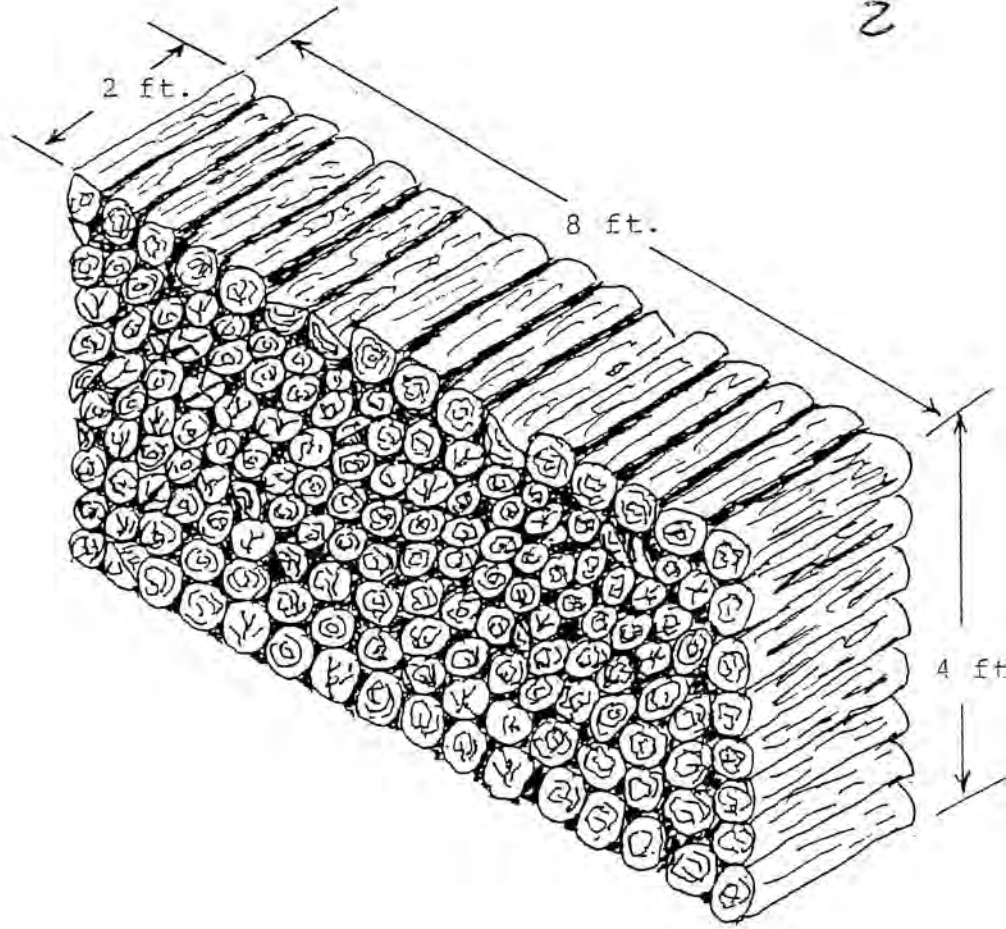
440-816-0525 800-462-5822 Fax: 440-816-0491 info@buresconsultantsinc.com

Fireplaces, Wood and Coal Heaters

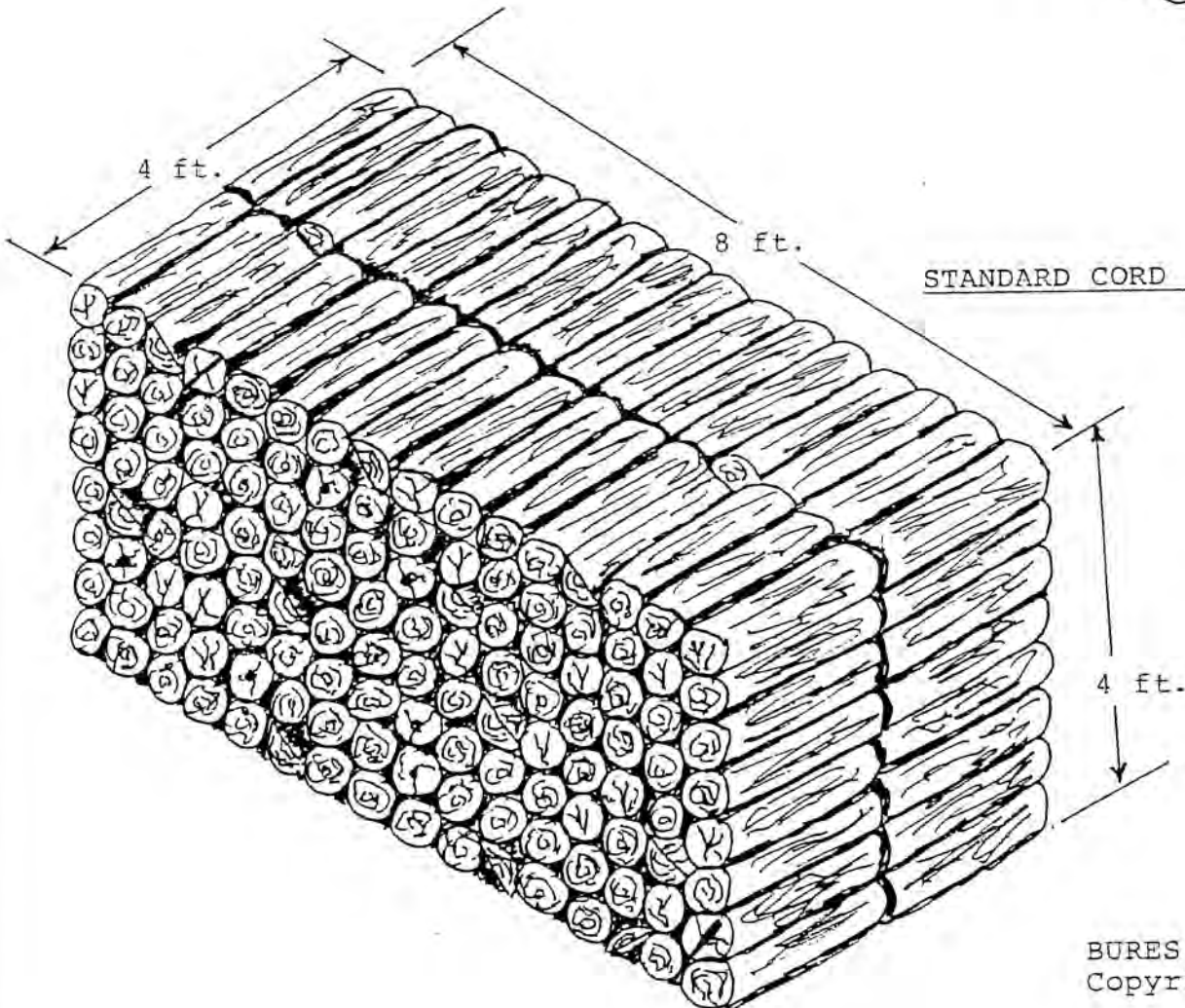
Bures Consultants, Inc.

Copyright 2007

FACE or SHORT CORD

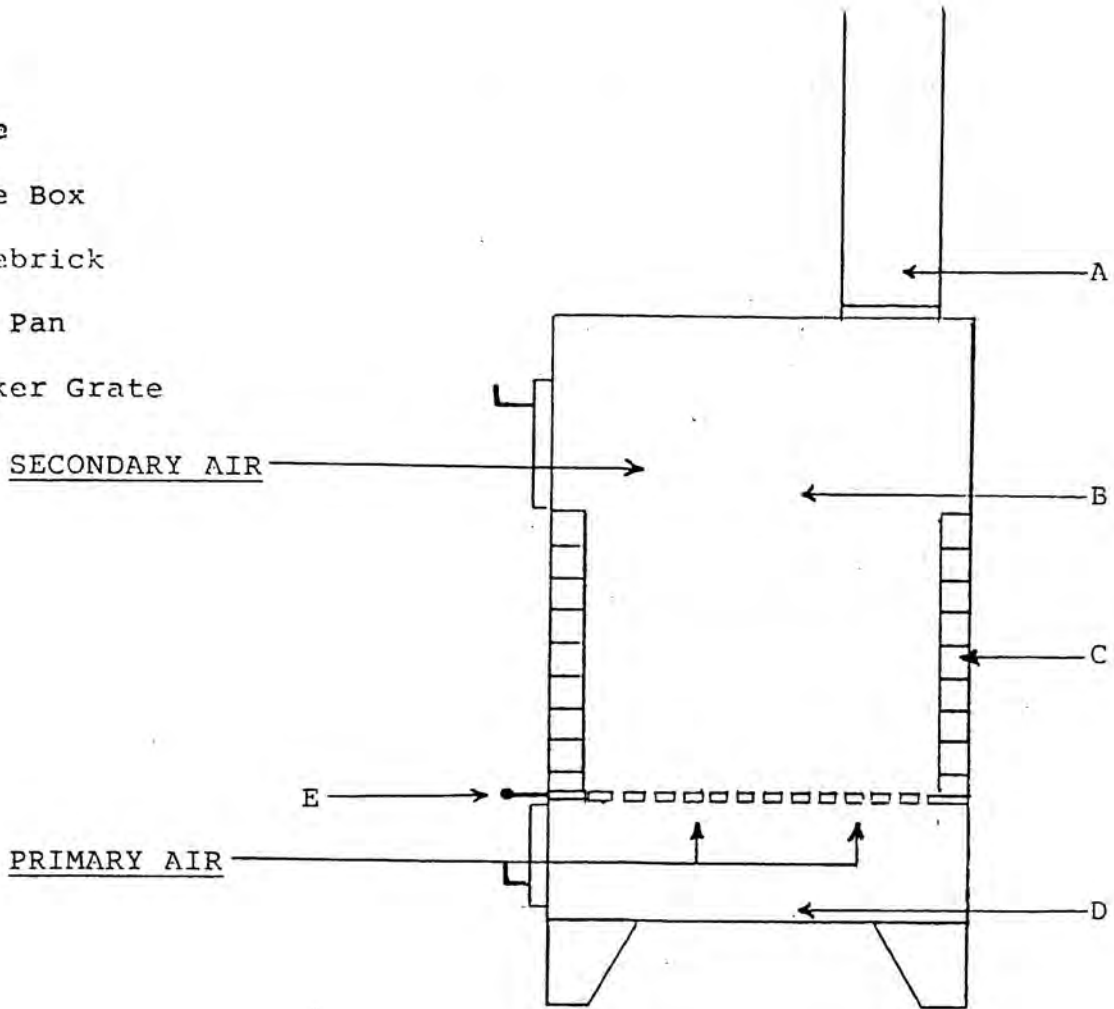


STANDARD CORD

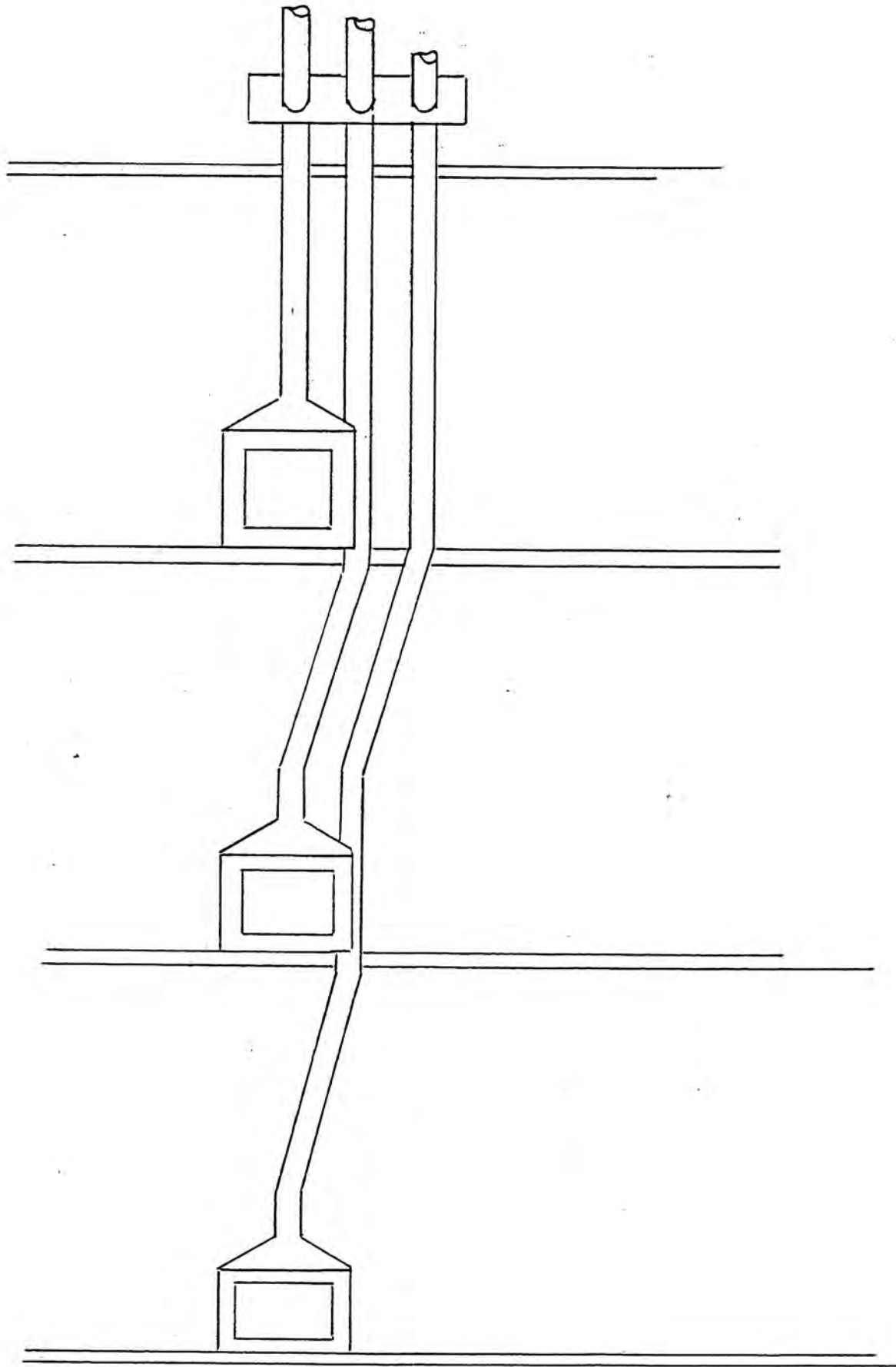


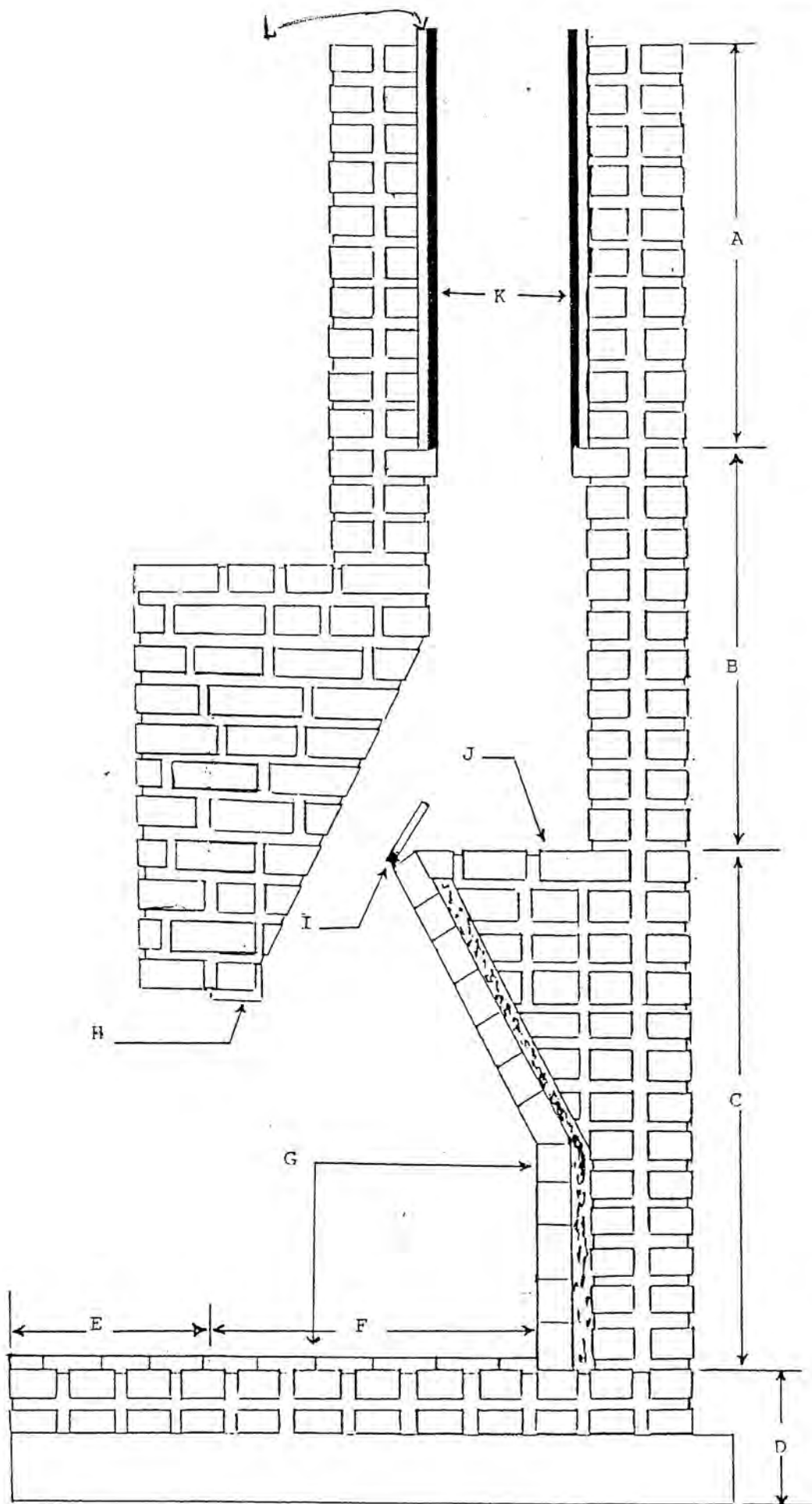
COAL STOVE EXAMPLE

- A--Flue
- B--Fire Box
- C--Firebrick
- D--Ash Pan
- E--Shaker Grate



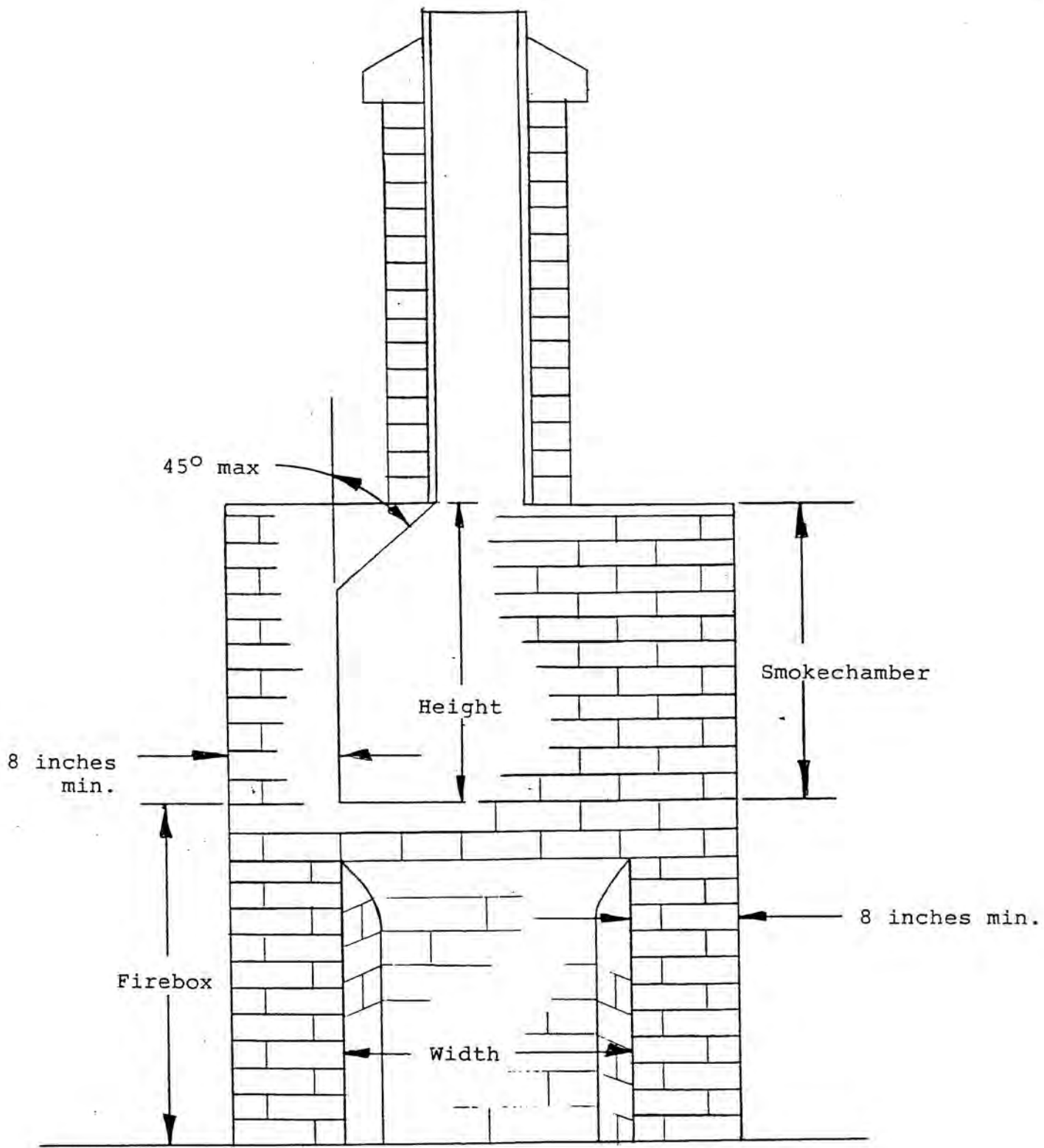
BURES CONSULTANTS, INC.
Copyright 1998





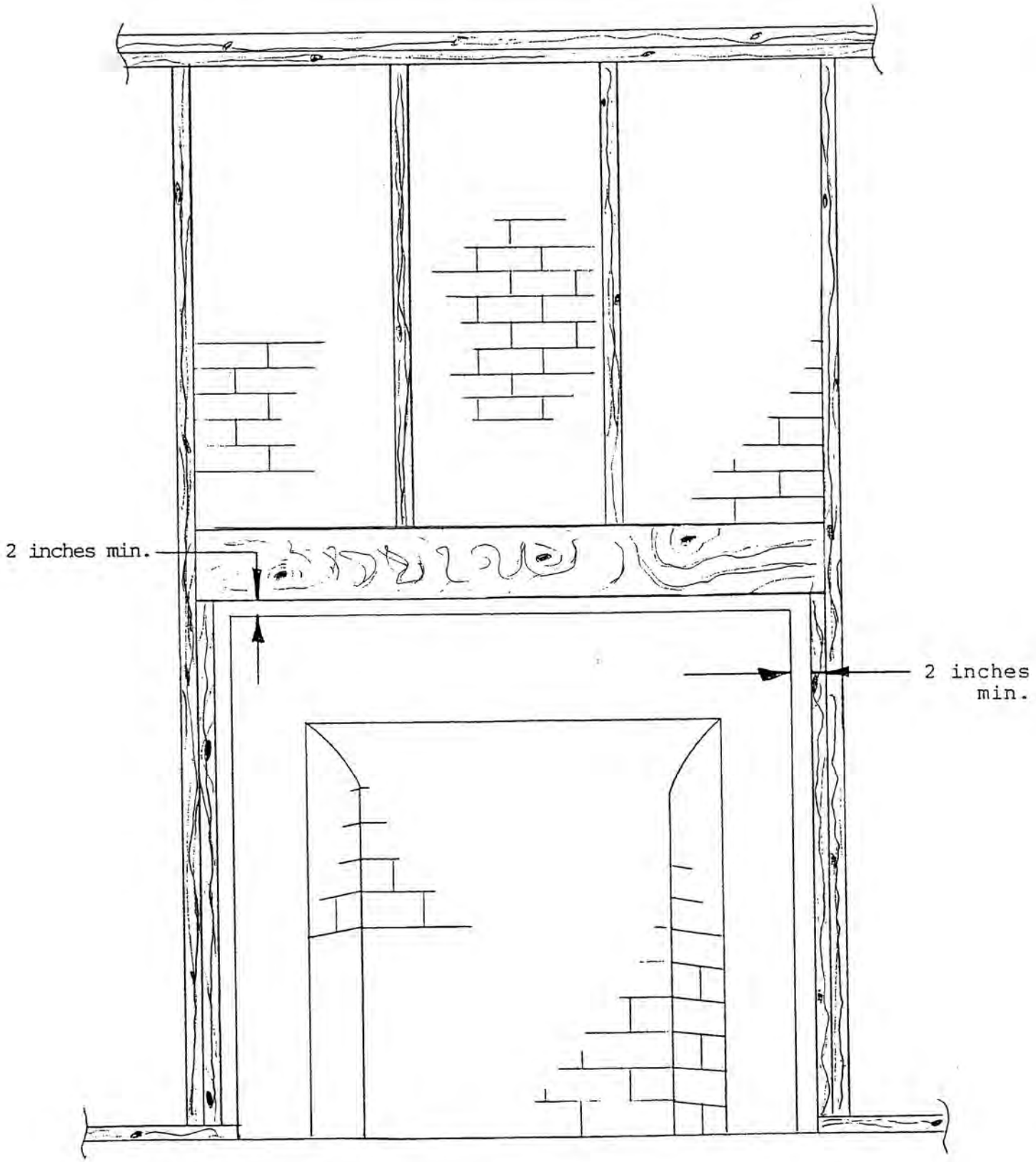
- A--Chimney
- B--Smoke Chamber
- C--Firebox
- D--Base Assembly
- E--Hearth Extension
- F--Firebox Hearth
- G--Firebrick
- H--Lintel
- I--Damper
- J--Smoke Shelf
- K--Fireclay Flue Liner
- L--Airspace

BURES CONSULTANTS, INC.
 Copyright 1998



Height shall be less than or equal to width

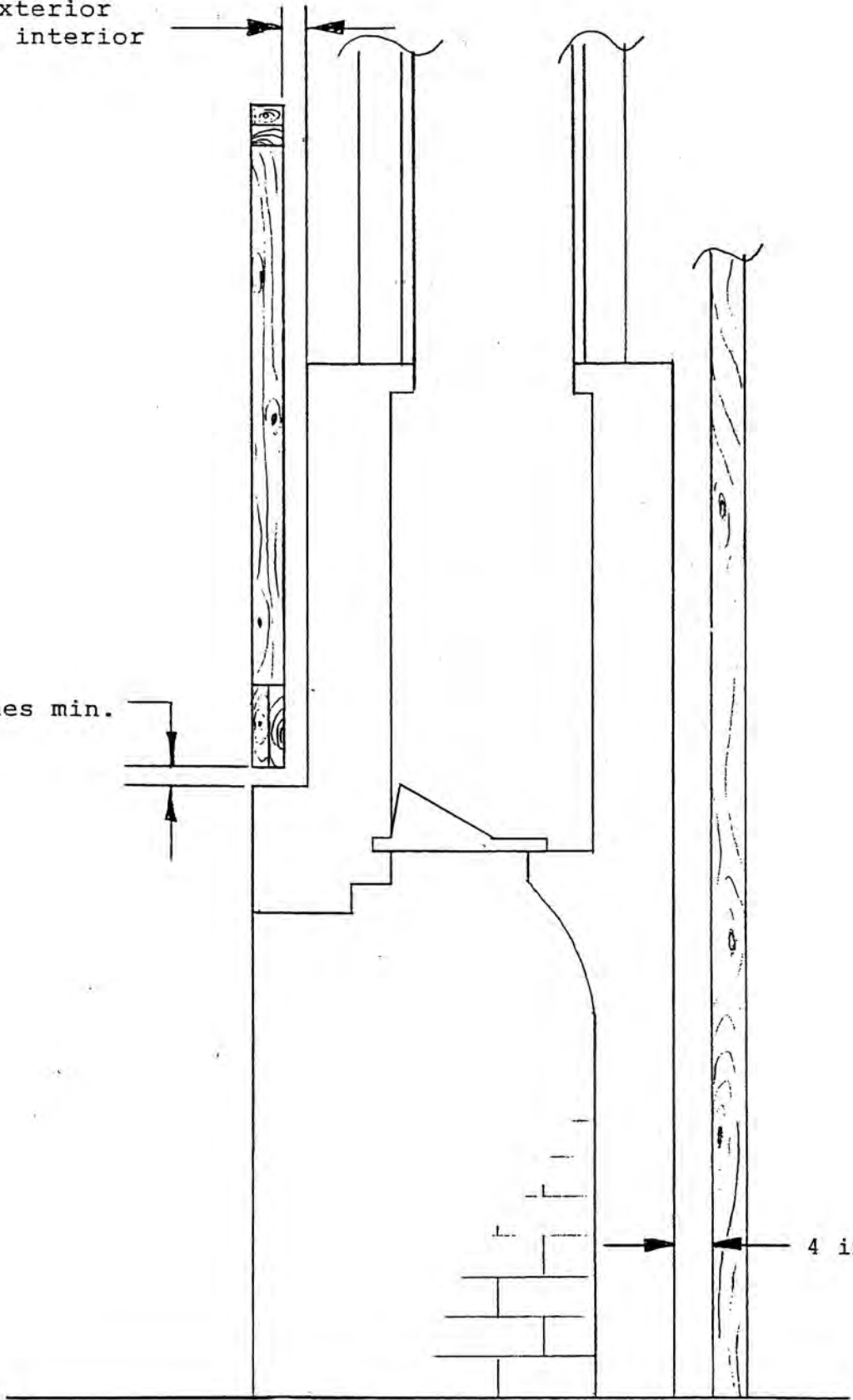
BURES CONSULTANTS, INC.
Copyright 1998

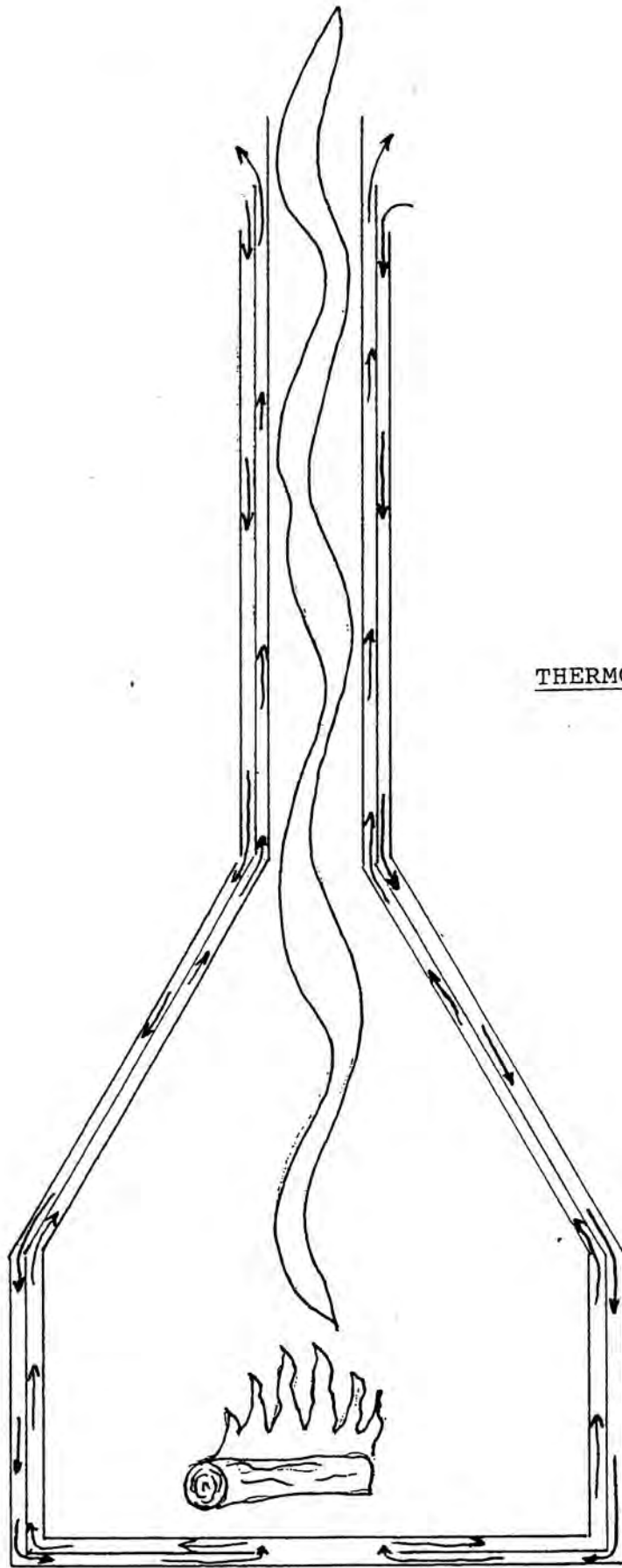


One inch min. exterior
Two inches min. interior

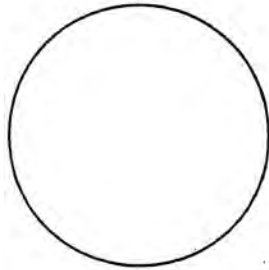
2 inches min.

4 inches min.



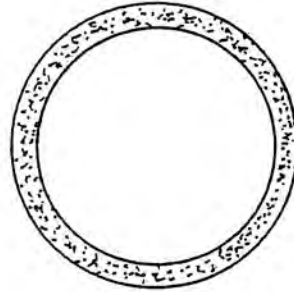


THERMO-SIPHONING SYSTEM



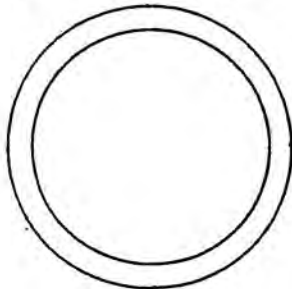
Single Wall
STOVEPIPE

Insulated



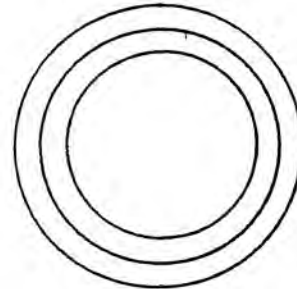
Double Wall
CHIMNEY

Air Insulated



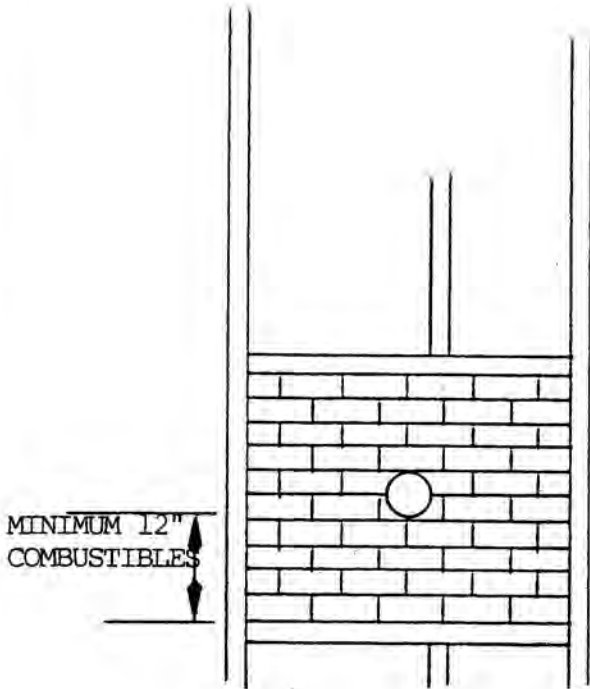
Double Wall
CHIMNEY

Air-Cooled



Triple Wall
CHIMNEY

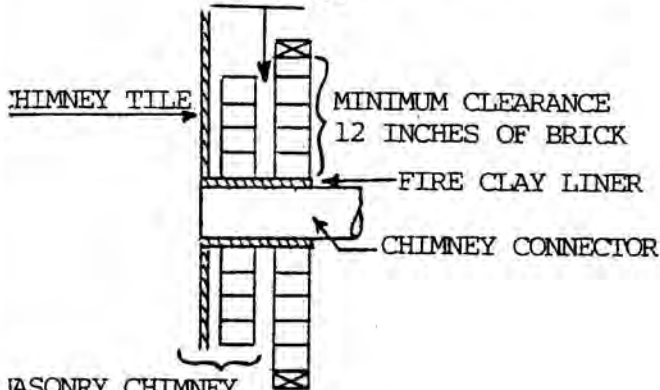
BURES CONSULTANTS, INC.
Copyright 1998



SYSTEM A CLEARANCE 12 INCHES

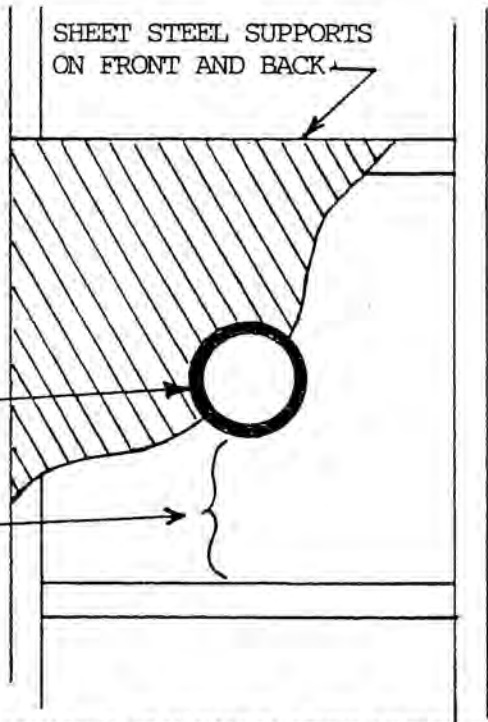
Minimum 3.5 inch thick brick masonry wall framed into combustible wall with a minimum of 12 inch brick separation from clay liner to combustibles. Fire clay liner (ASTM C 315 or equivalent), minimum 5/8 inch wall thickness, shall run from outer surface of brick wall to, but not beyond, the inner surface of chimney flue liner and shall be firmly cemented in place.

MINIMUM CHIMNEY CLEARANCE TO BRICK AND COMBUSTIBLES. 2 INCHES.



MASONRY CHIMNEY CONSTRUCTED TO I.F.P.A. 211

BURES CONSULTANTS, INC.
Copyright 1998



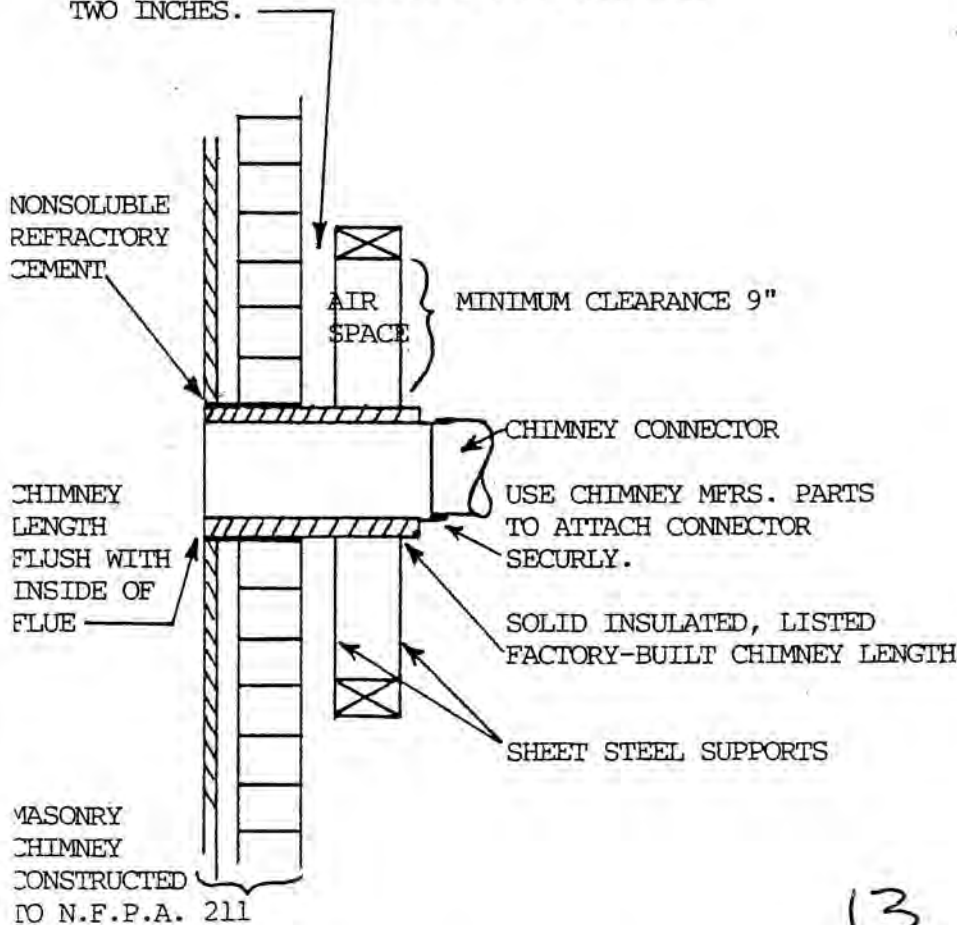
SYSTEM B CLEARANCE 9 INCHES

Solid insulated listed factory-built chimney length of the same inside diameter as the chimney connector and having one inch or more of insulation with a minimum 9 inch air space between the outer wall of the chimney length and combustibles.

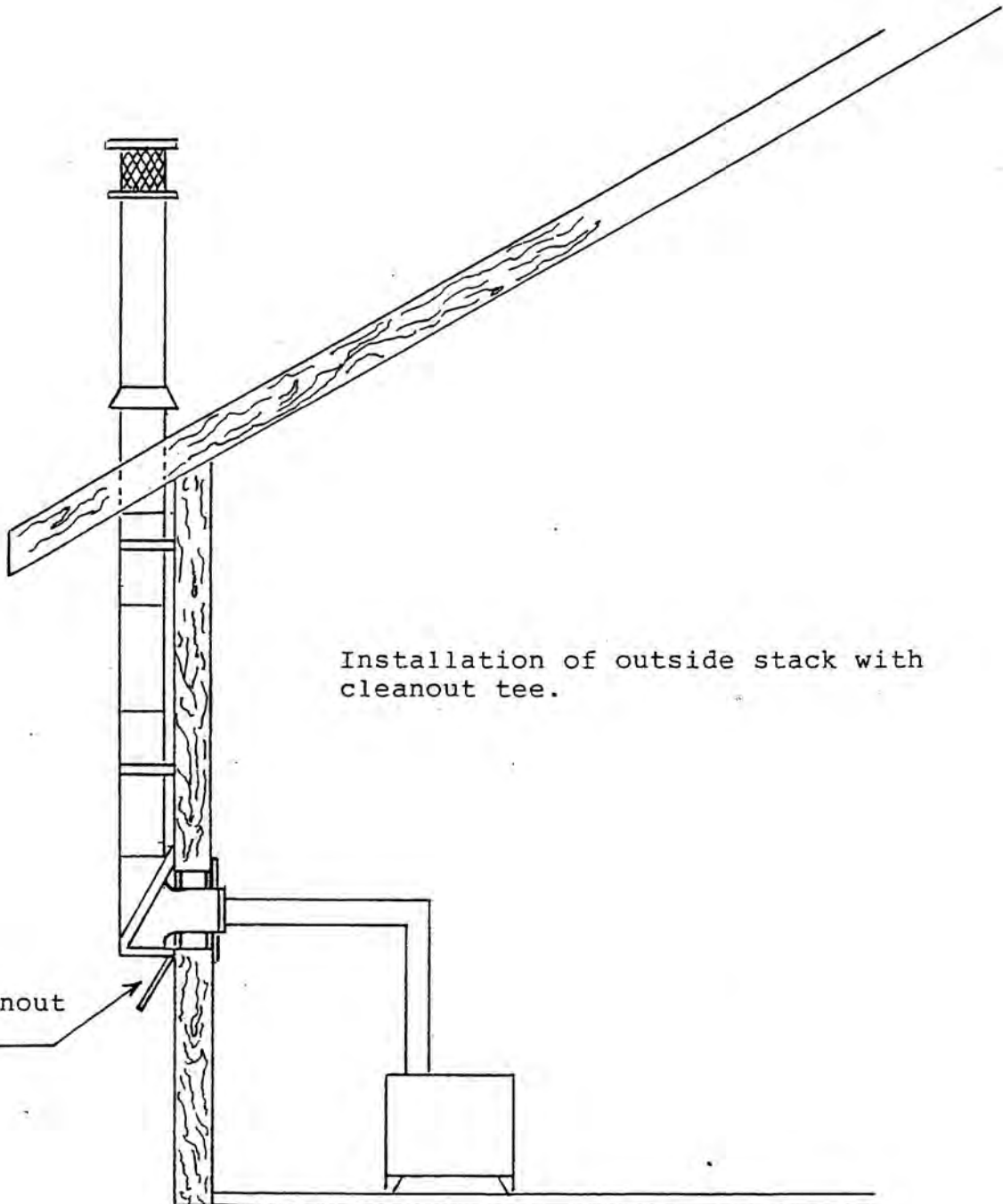
The inner end of the chimney length shall be flush with the inside of the masonry chimney flue and shall be sealed to the flue and to the brick masonry penetration with nonwater-soluble refractory cement. Supports shall be securely fastened to wall surfaces on all sides.

Fasteners between supports and the chimney length shall not penetrate the chimney liner.

MINIMUM CHIMNEY CLEARANCE FROM MASONRY TO SHEET STEEL SUPPORTS AND COMBUSTIBLES TWO INCHES.



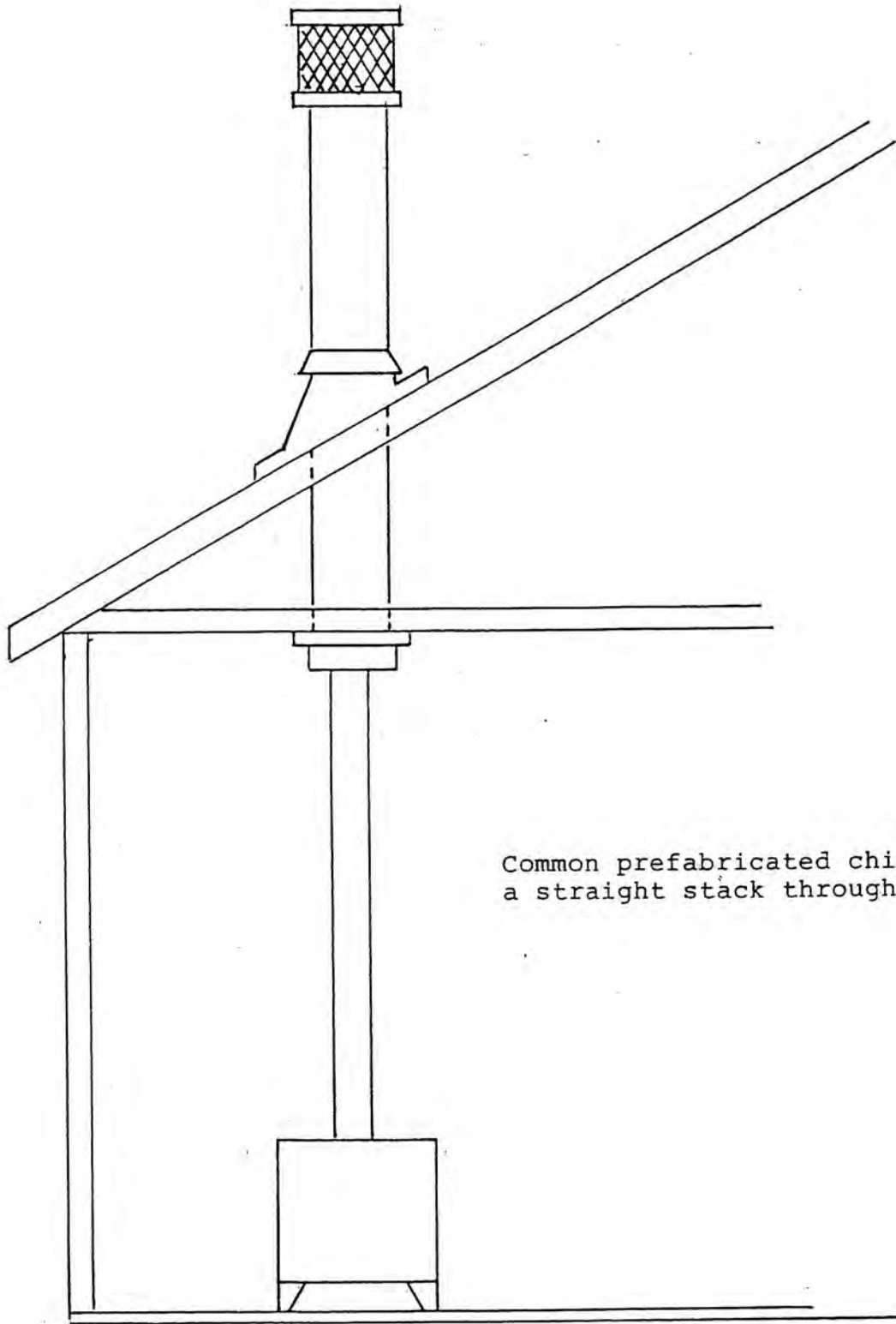
BURES CONSULTANTS, INC.
Copyright 1998



Installation of outside stack with cleanout tee.

Cleanout Tee

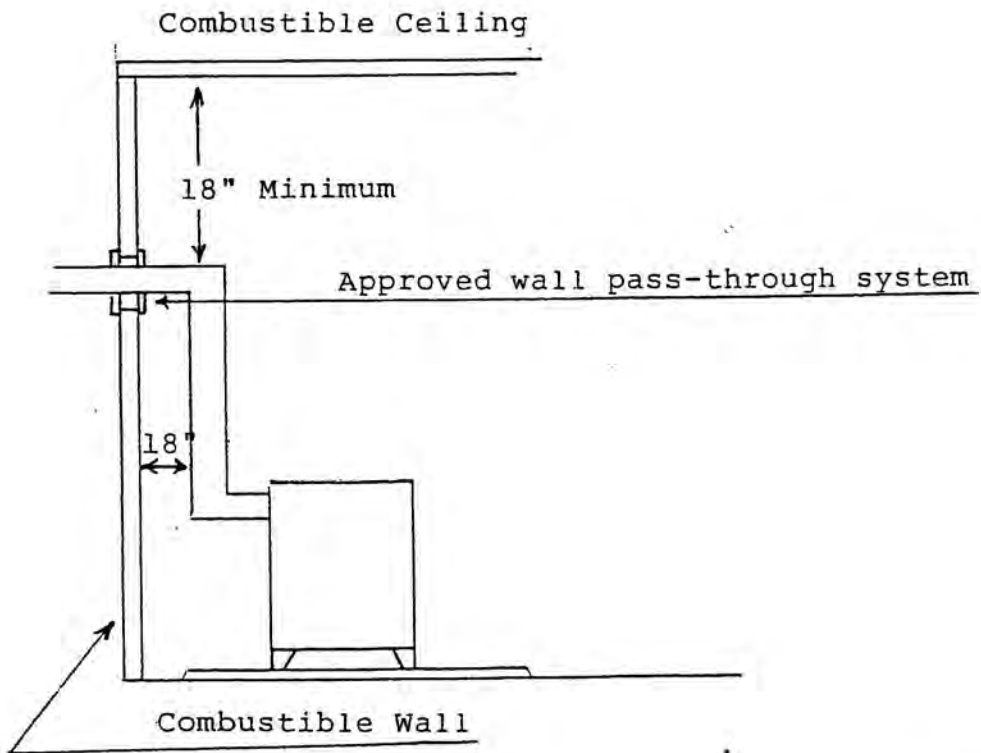
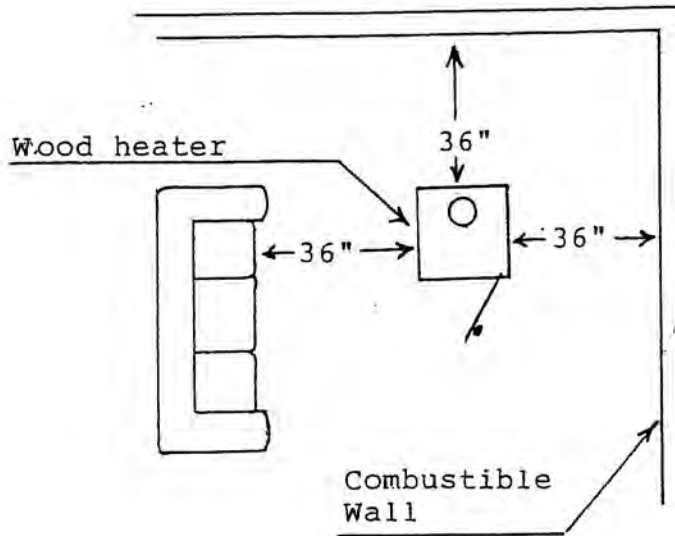
BURES CONSULTANTS, INC.
Copyright 1998



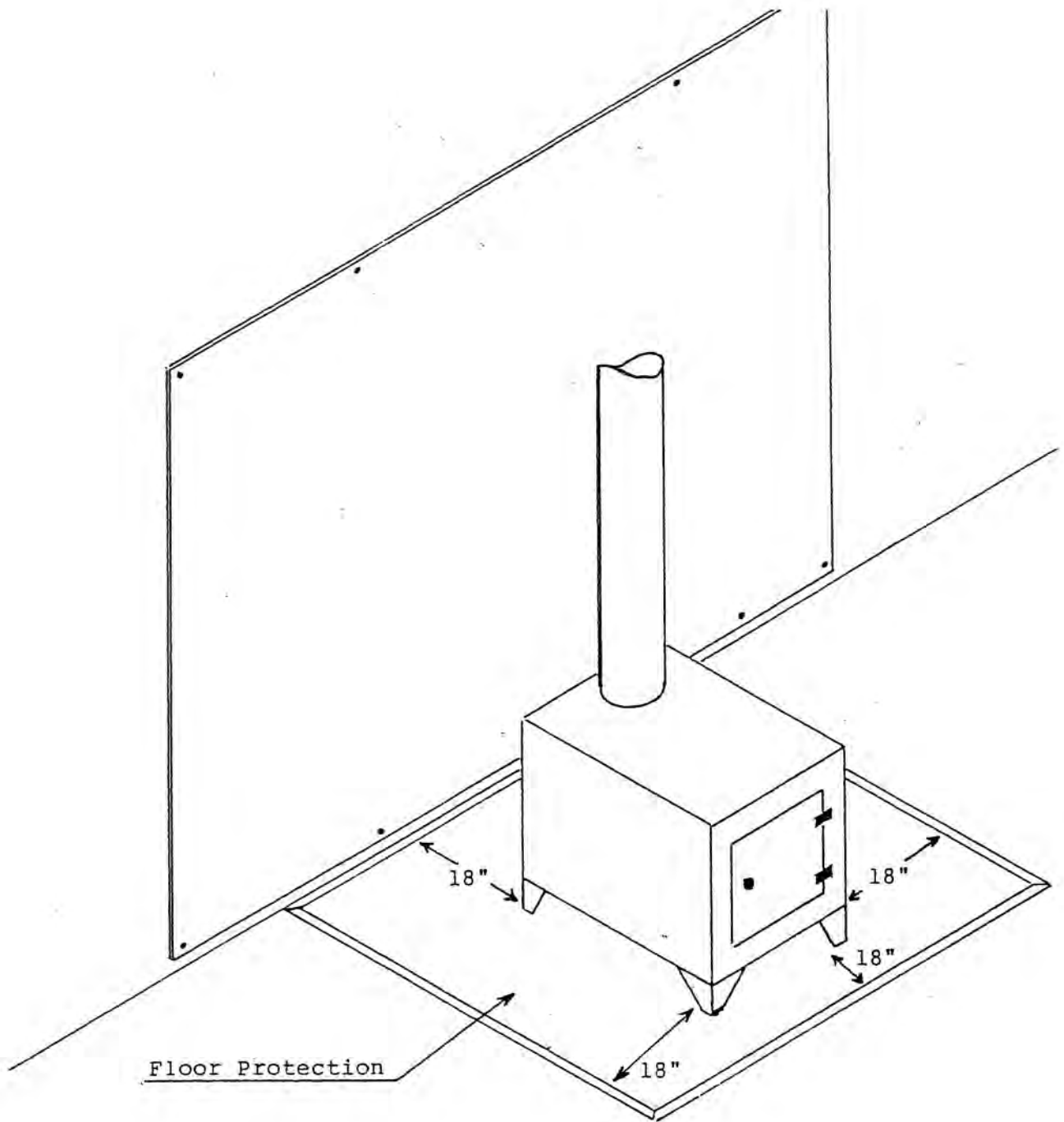
Common prefabricated chimney installation-
a straight stack through the roof.

BURES CONSULTANTS, INC.
Copyright 1998

CLEARANCES



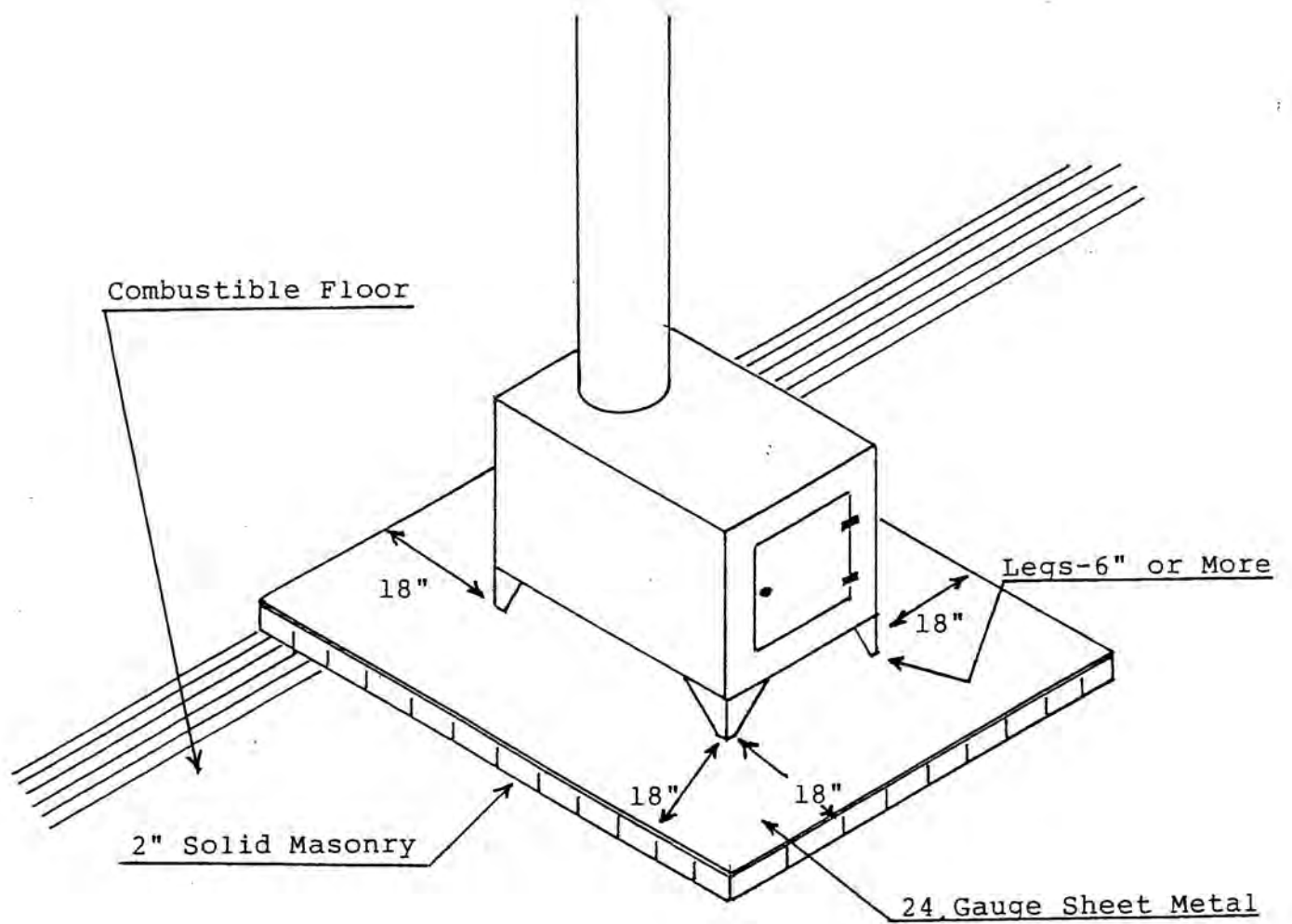
BURES CONSULTANTS, INC
Copyright 1998



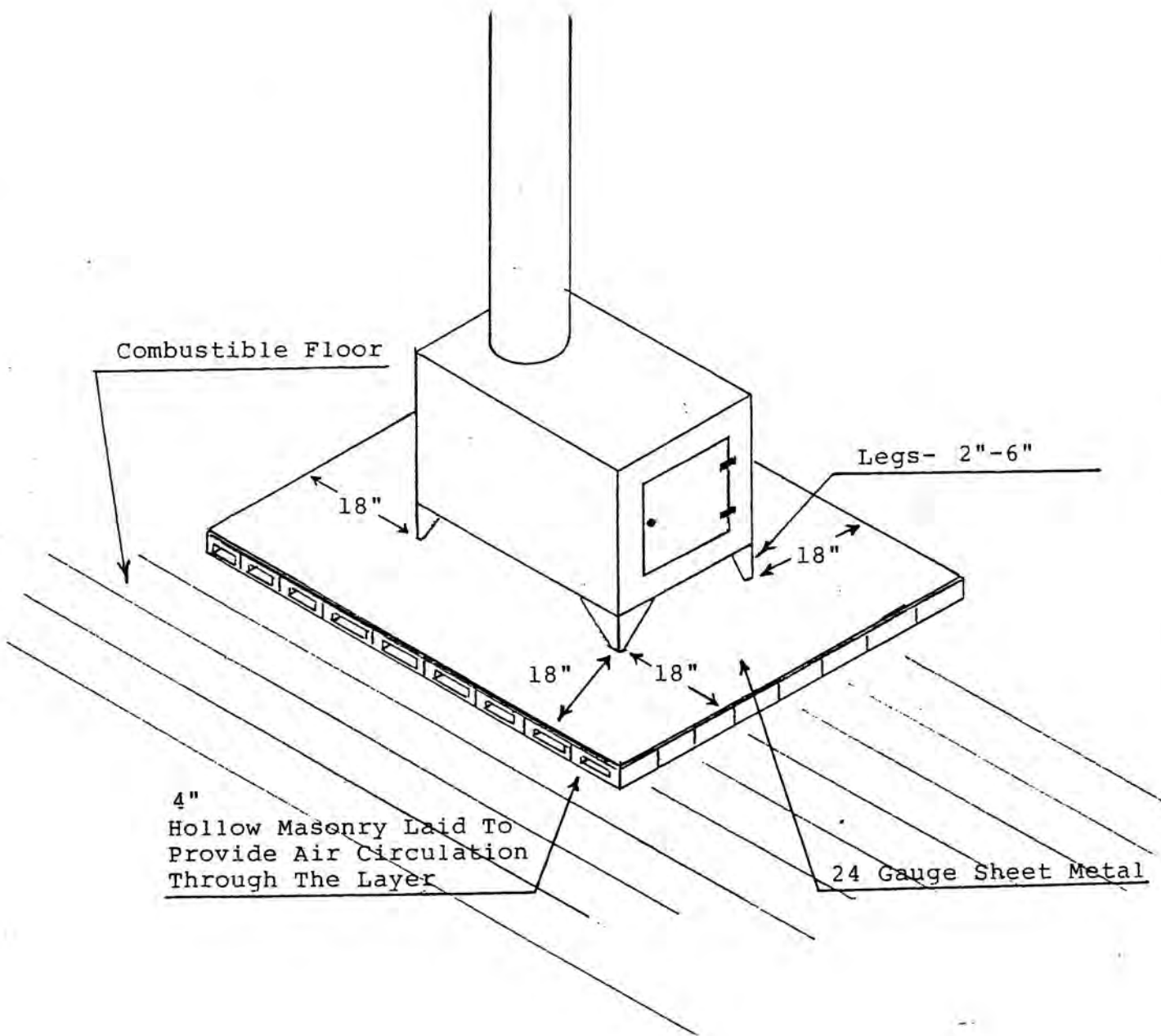
FLOOR PROTECTION SYSTEM

The floor protection system must extend a minimum of 18" on all sides of the appliance.

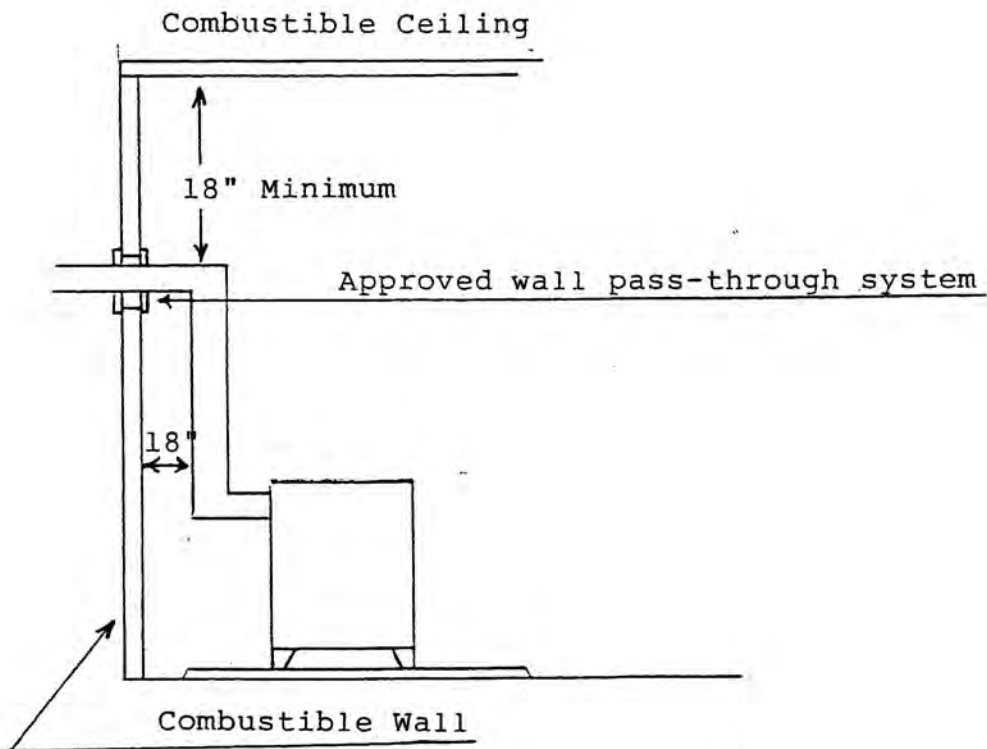
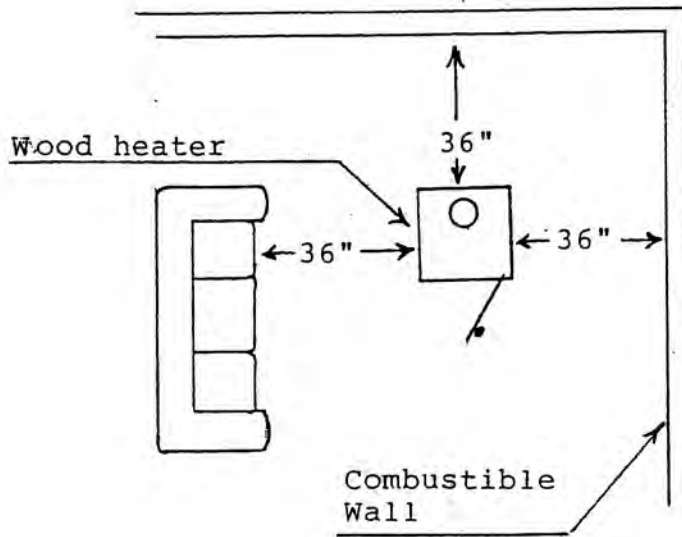
BURES CONSULTANTS, INC.
Copyright 1998



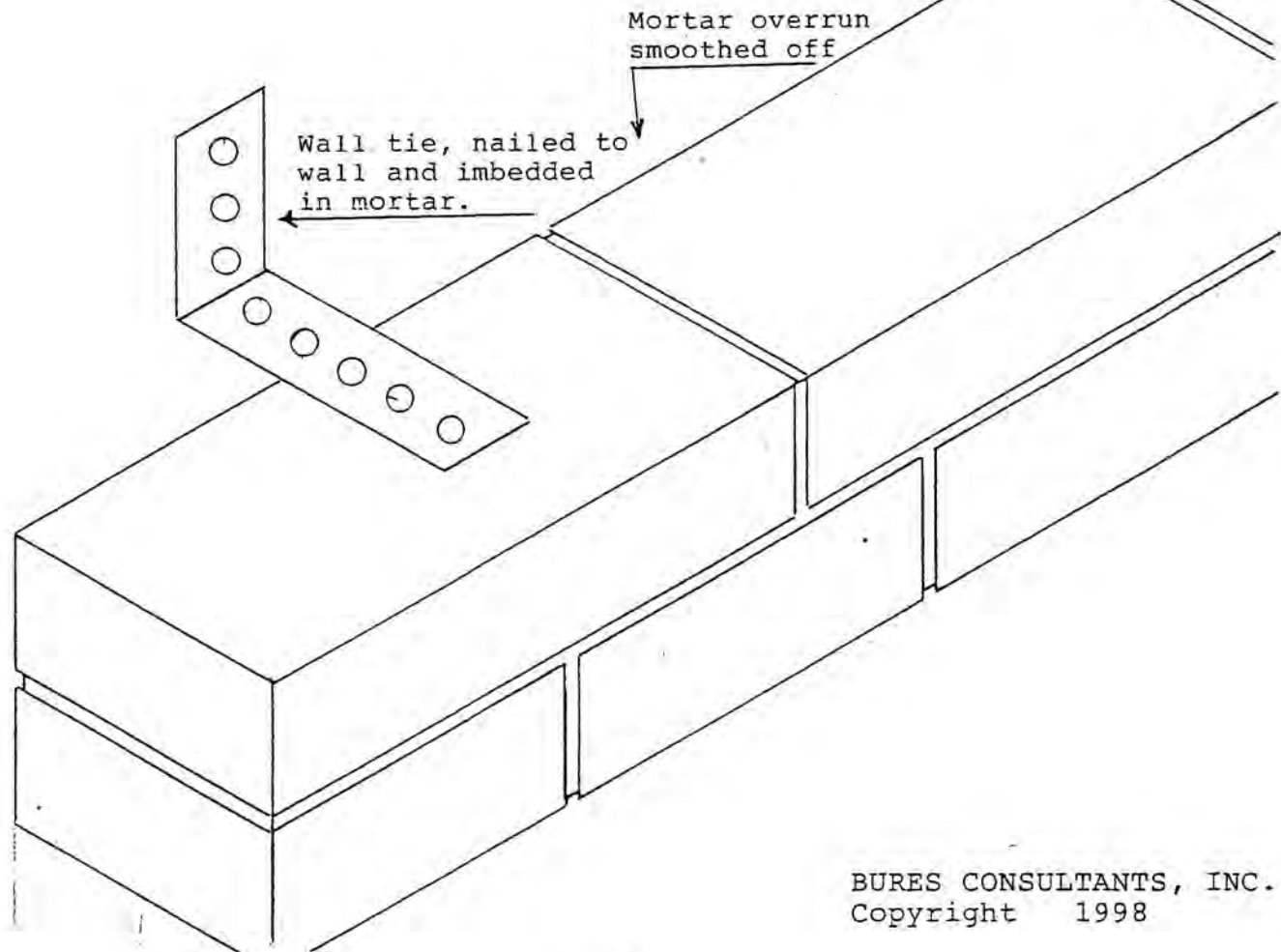
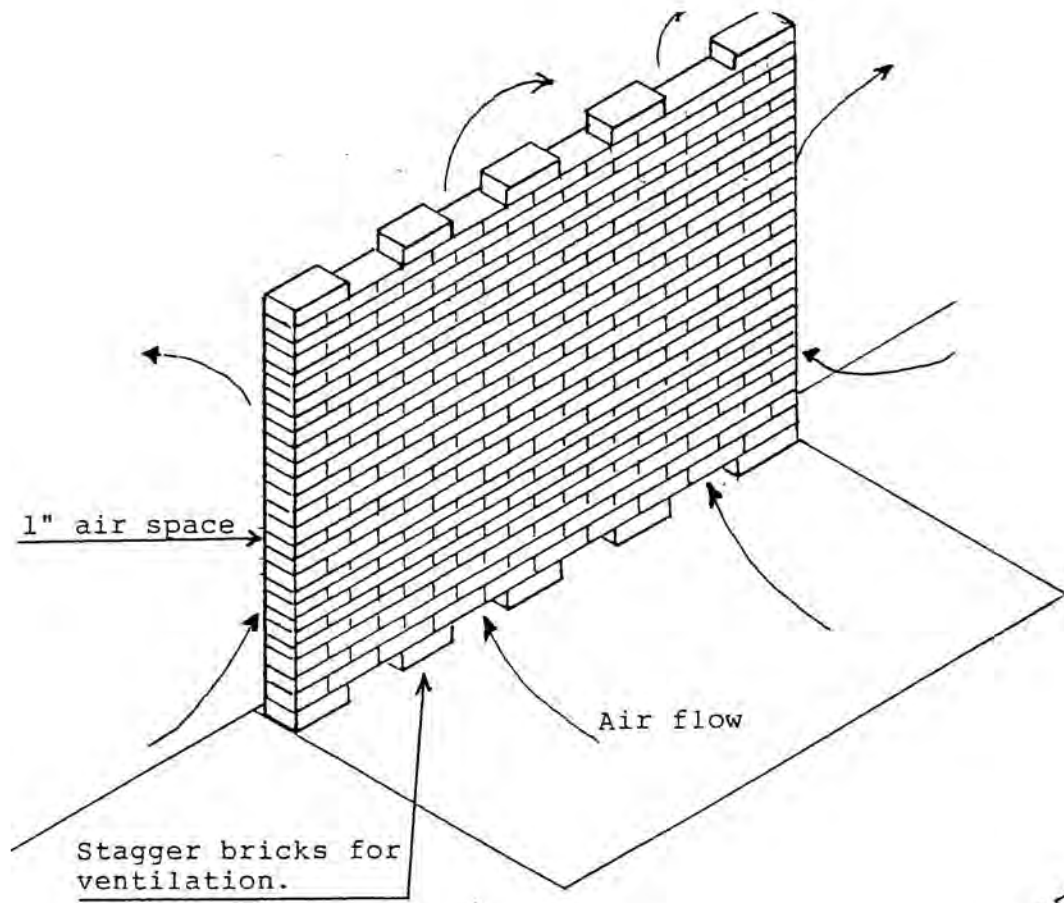
BURES CONSULTANTS, INC.
Copyright 1998



CLEARANCES

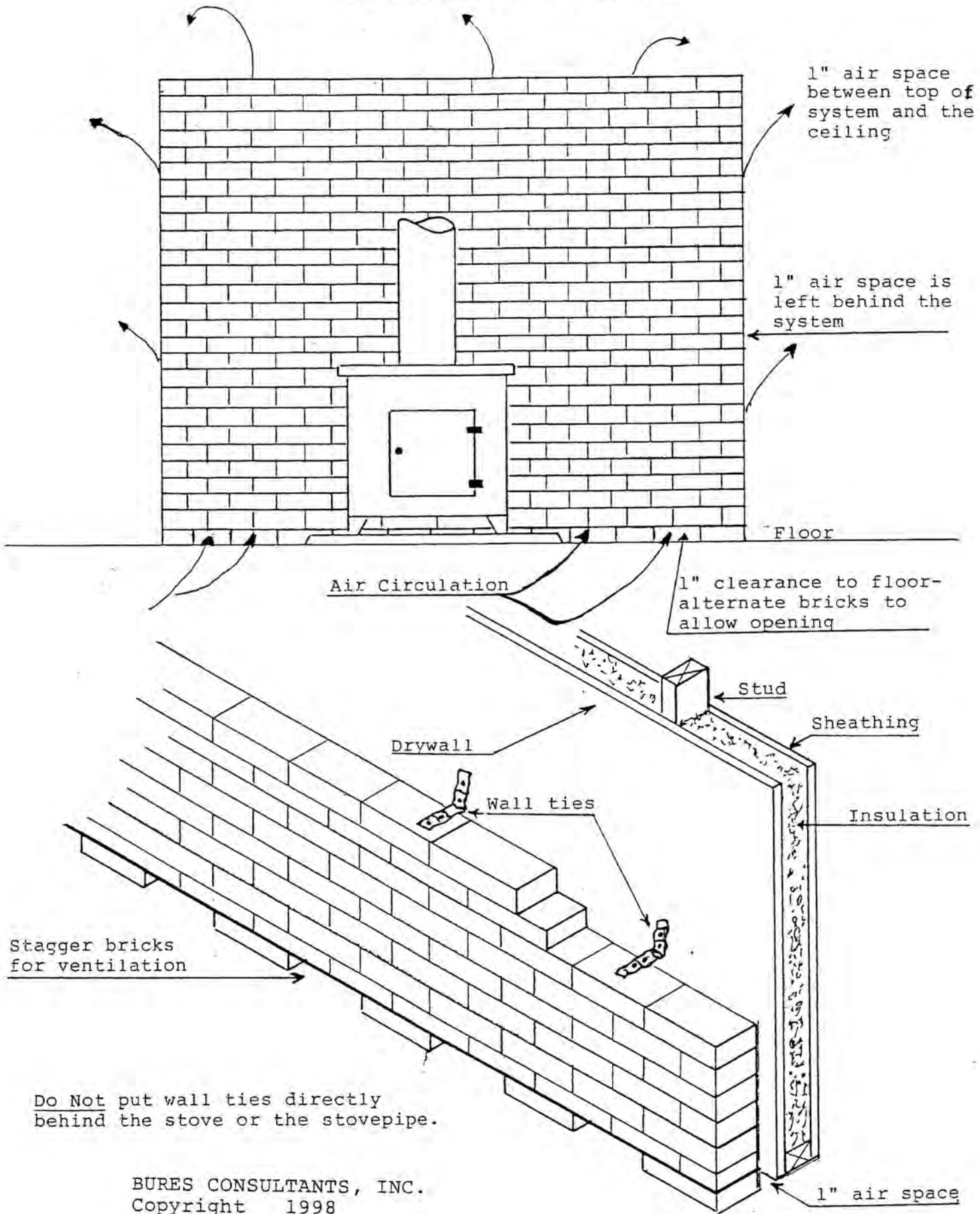


BURES CONSULTANTS, INC
Copyright 1998



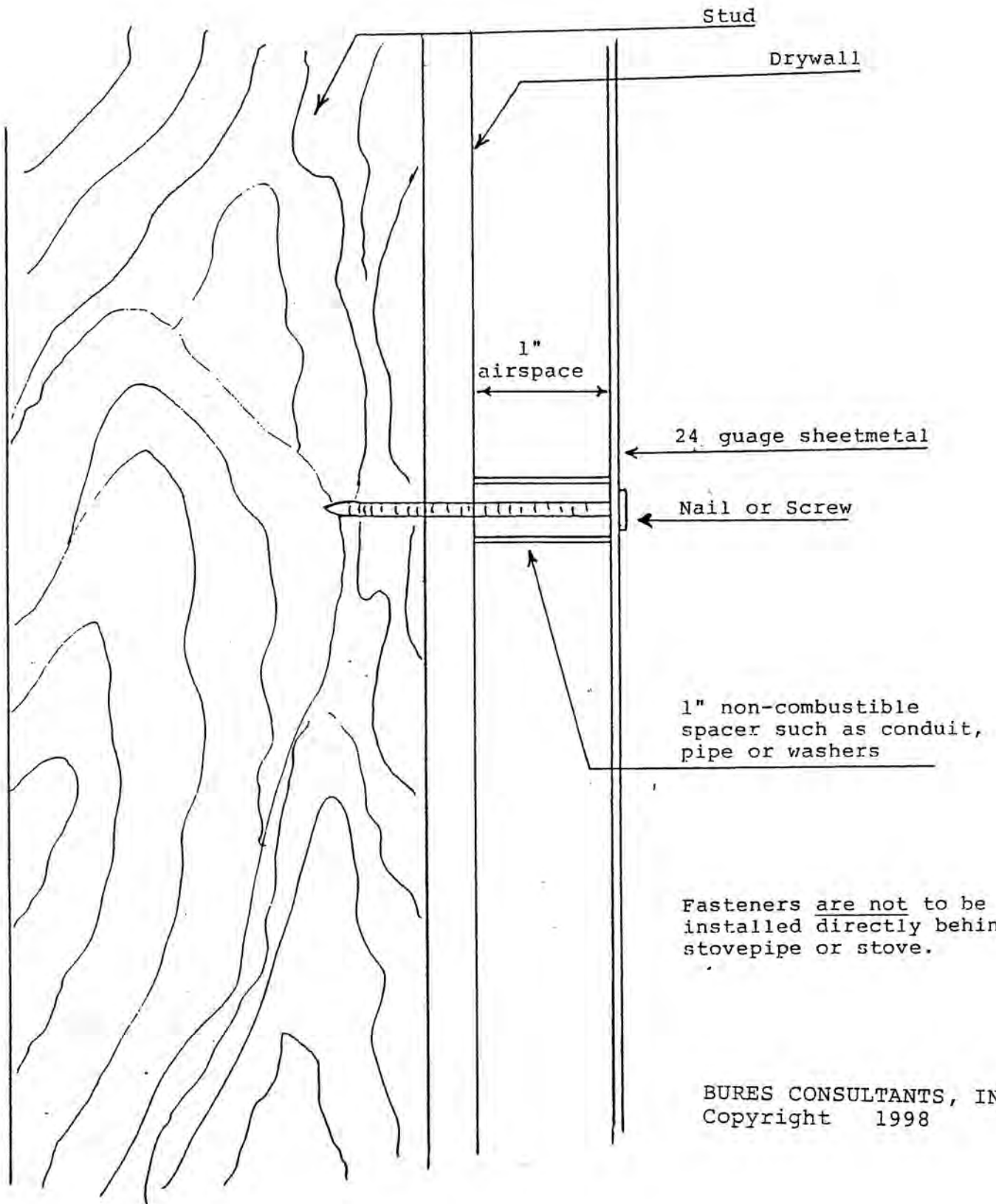
BURES CONSULTANTS, INC.
 Copyright 1998

BRICK CLEARANCE REDUCTION SYSTEM



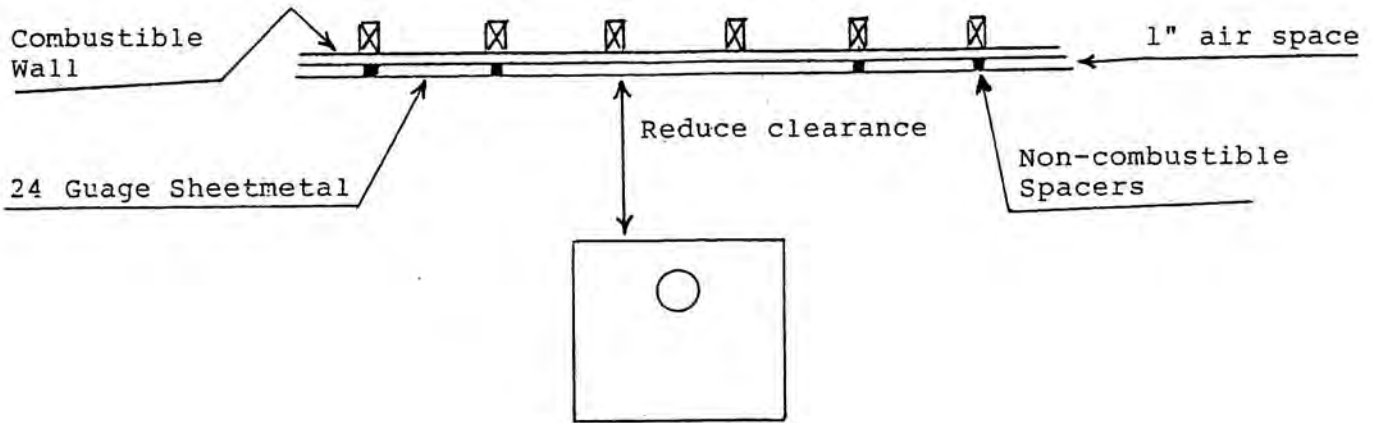
BURES CONSULTANTS, INC.
Copyright 1998

CLEARANCE REDUCTION SYSTEM DETAIL

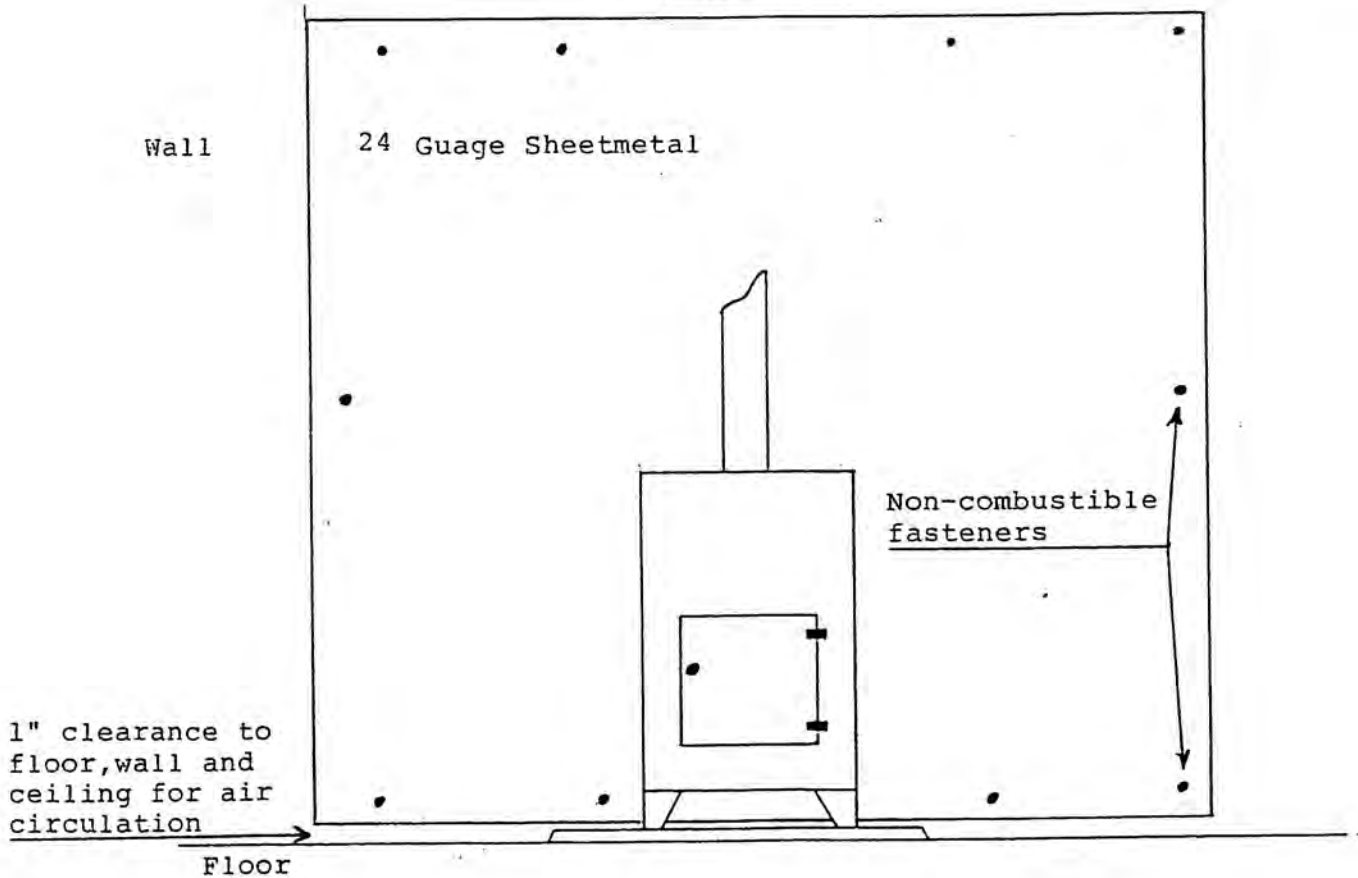


CLEARANCE REDUCTION SYSTEM

TOP VIEW



FRONT VIEW



BURES CONSULTANTS, INC.
Copyright 1998

STEEL FIREPLACE UNIT

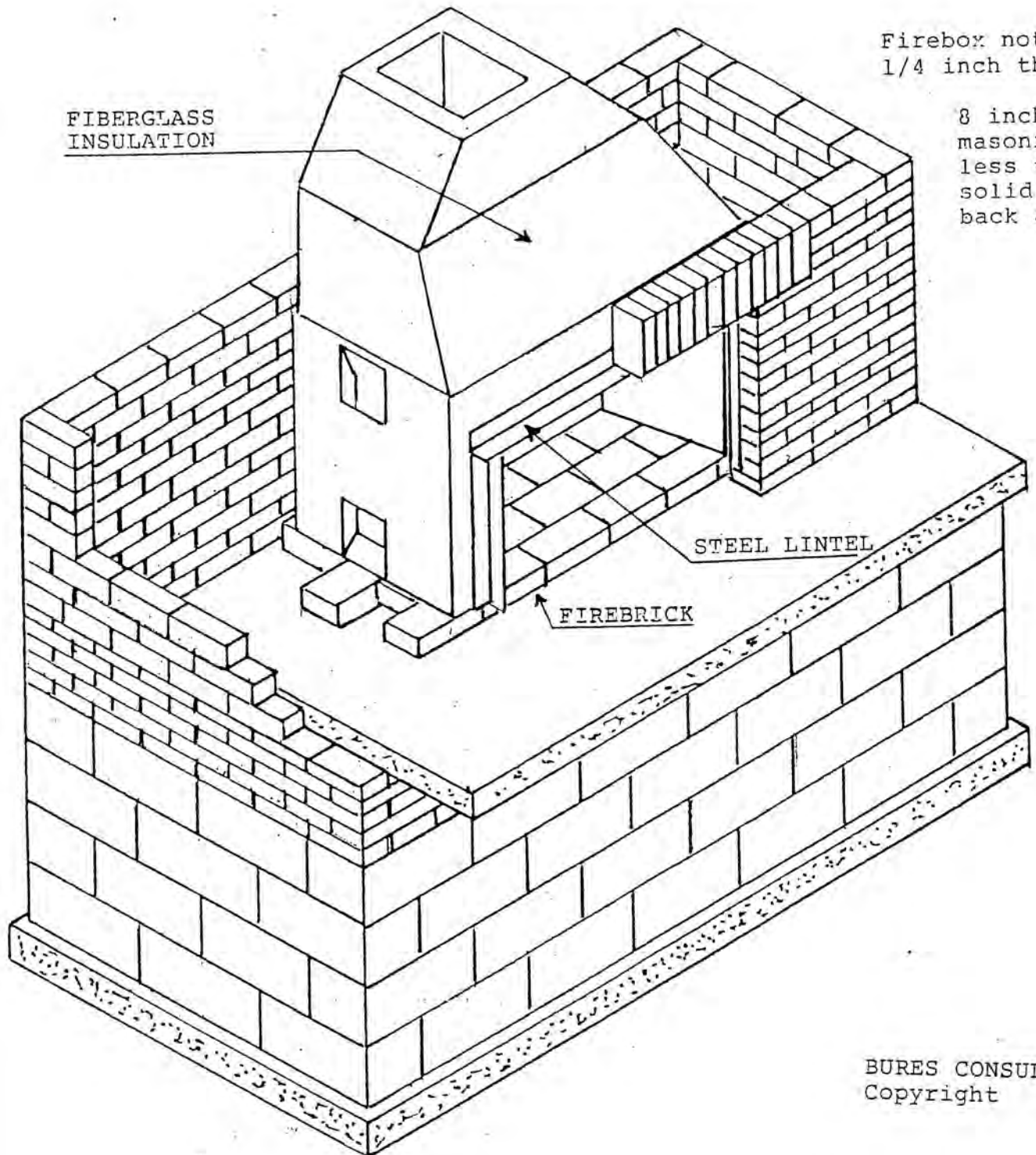
Firebox not less than
1/4 inch thick steel.

8 inches of
masonry with not
less than 4 **inche**
solid masonry on
back and sides

FIBERGLASS
INSULATION

STEEL LINTEL

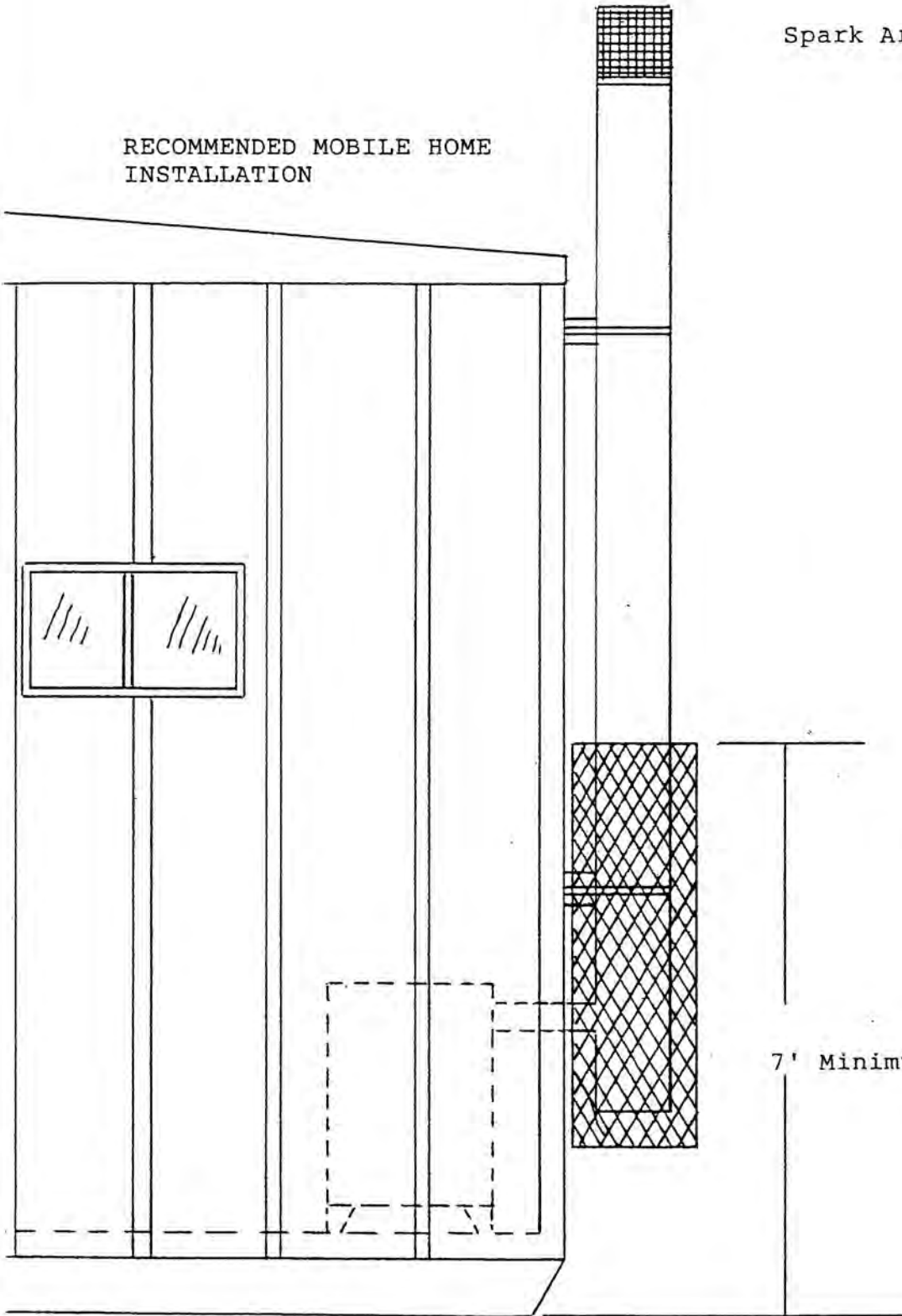
FIREBRICK



BURES CONSULTANTS, INC.
Copyright 1998

RECOMMENDED MOBILE HOME
INSTALLATION

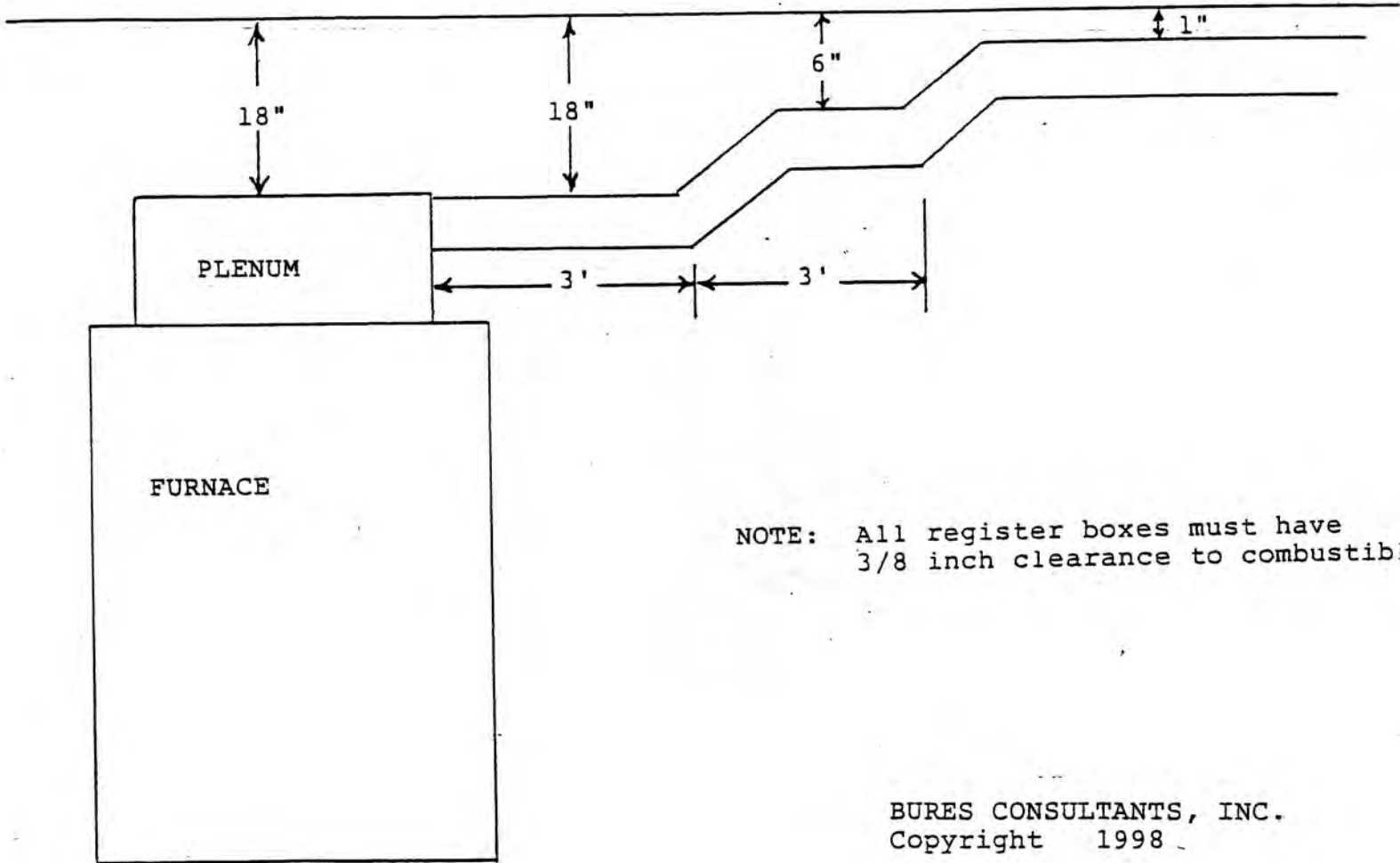
Spark Arrestor



Wire Guard

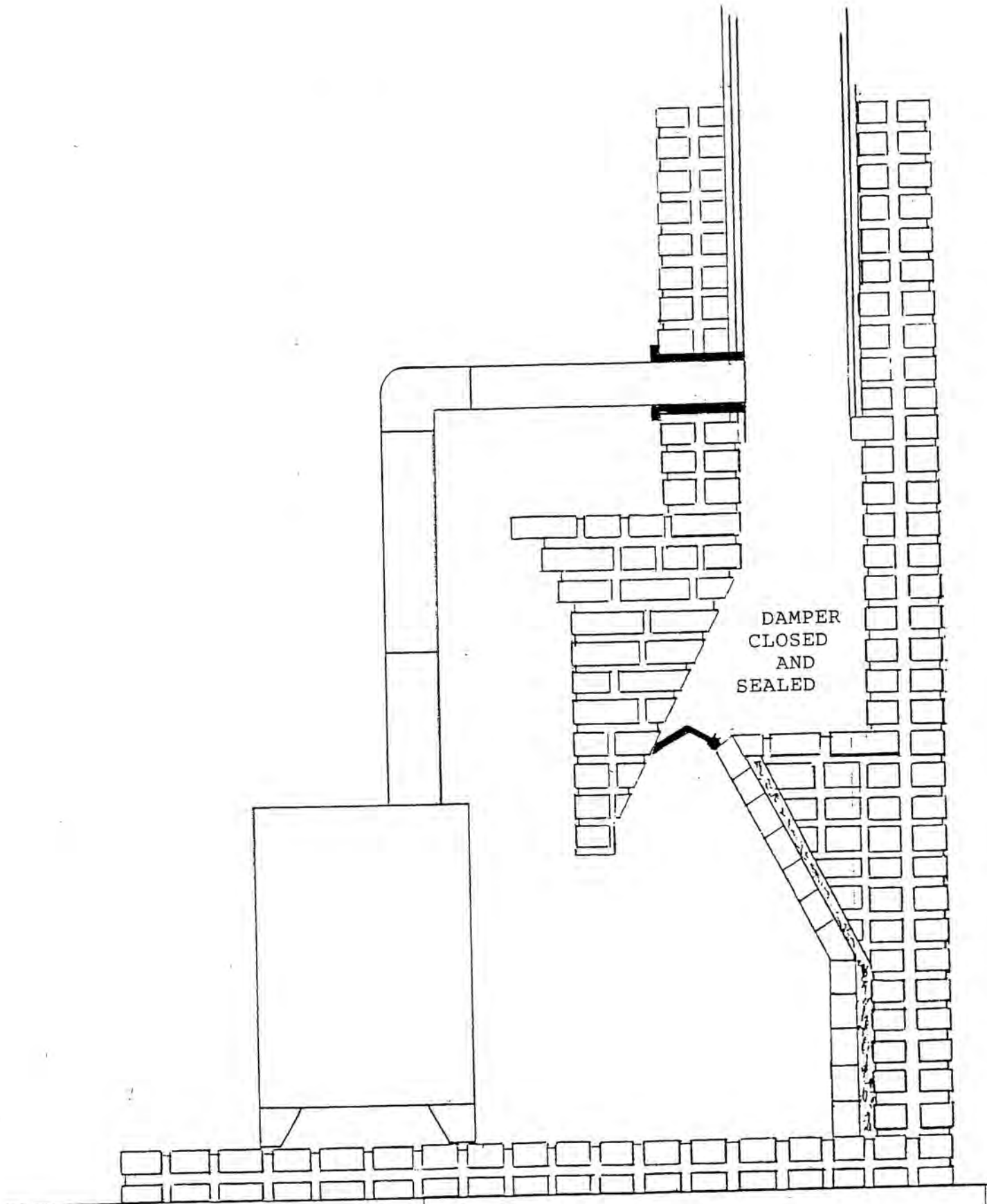
7' Minimum

NFPA RECOMMENDED CLEARANCES FROM COMBUSTIBLES

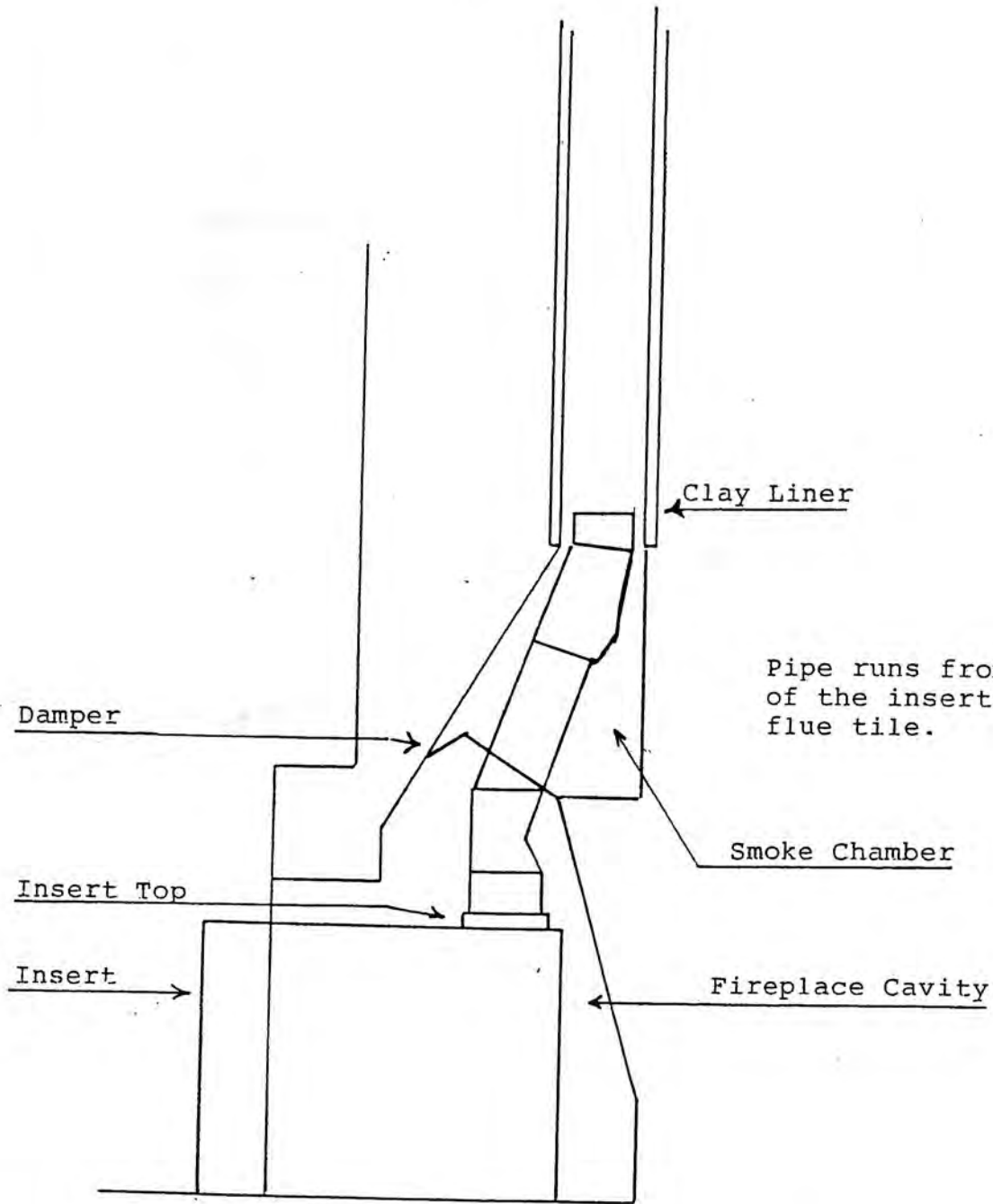


NOTE: All register boxes must have 3/8 inch clearance to combustibles.

BURES CONSULTANTS, INC.
Copyright 1998

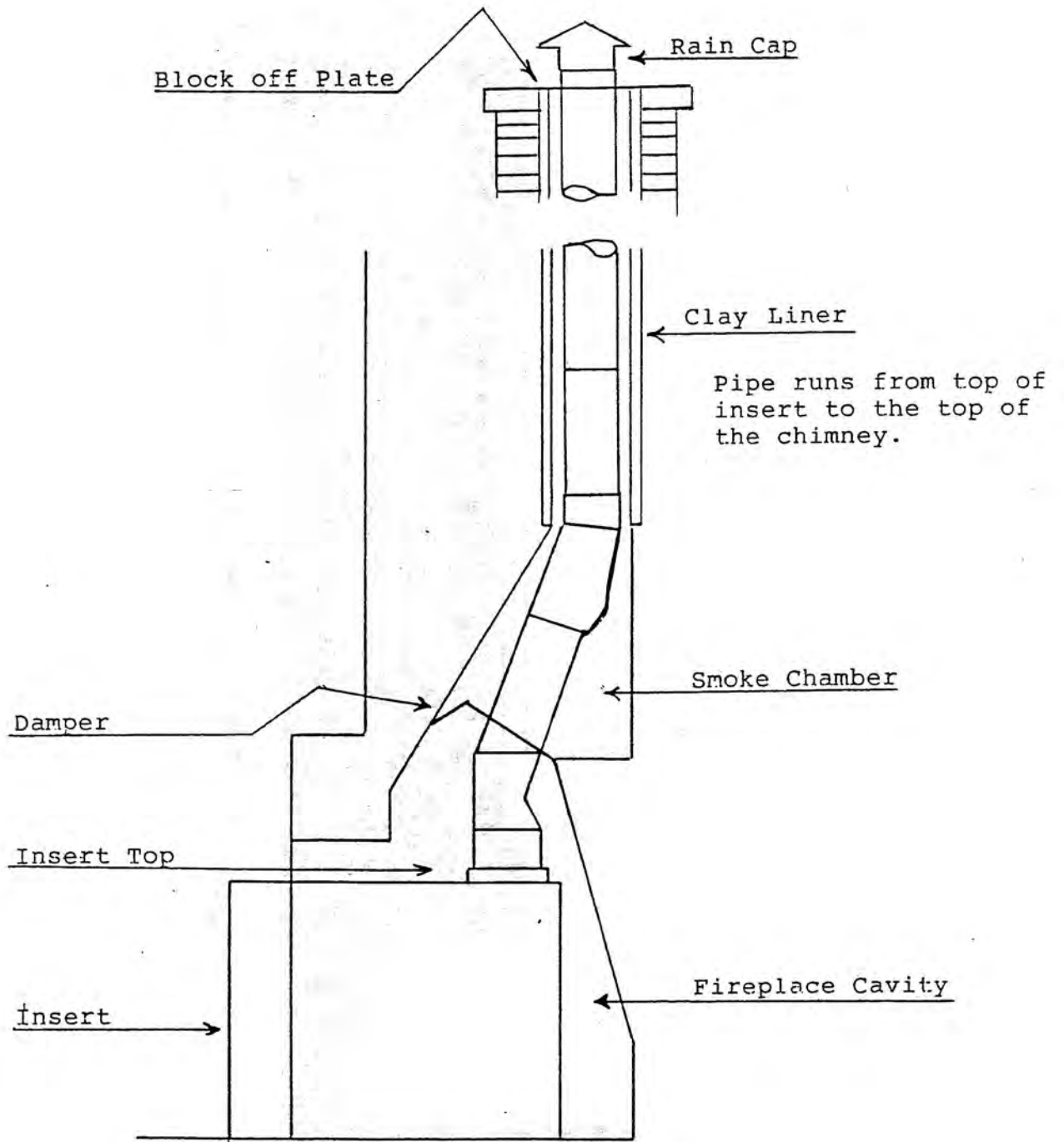


DAMPER
CLOSED
AND
SEALED

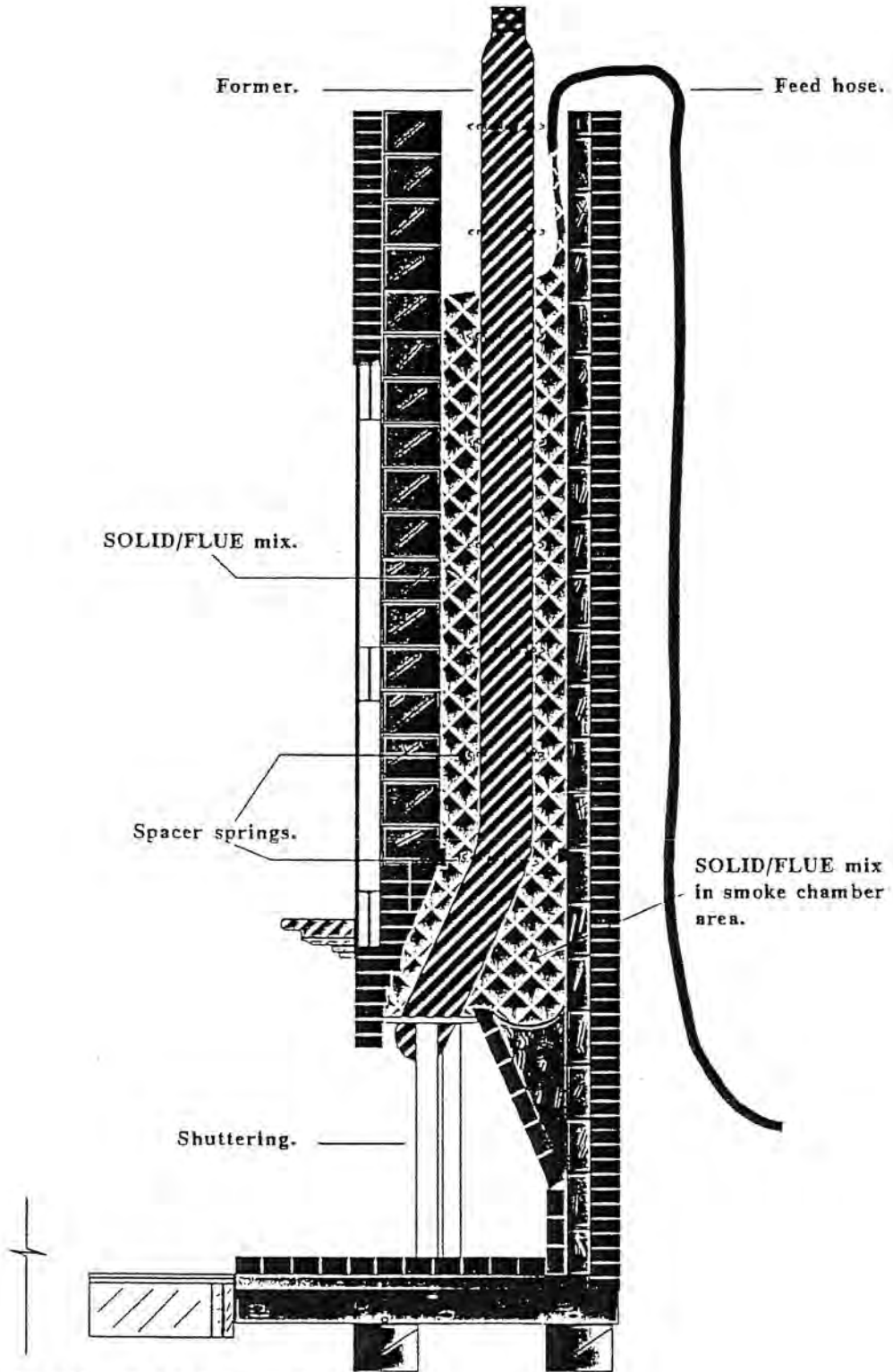


DIRECT CONNECTION

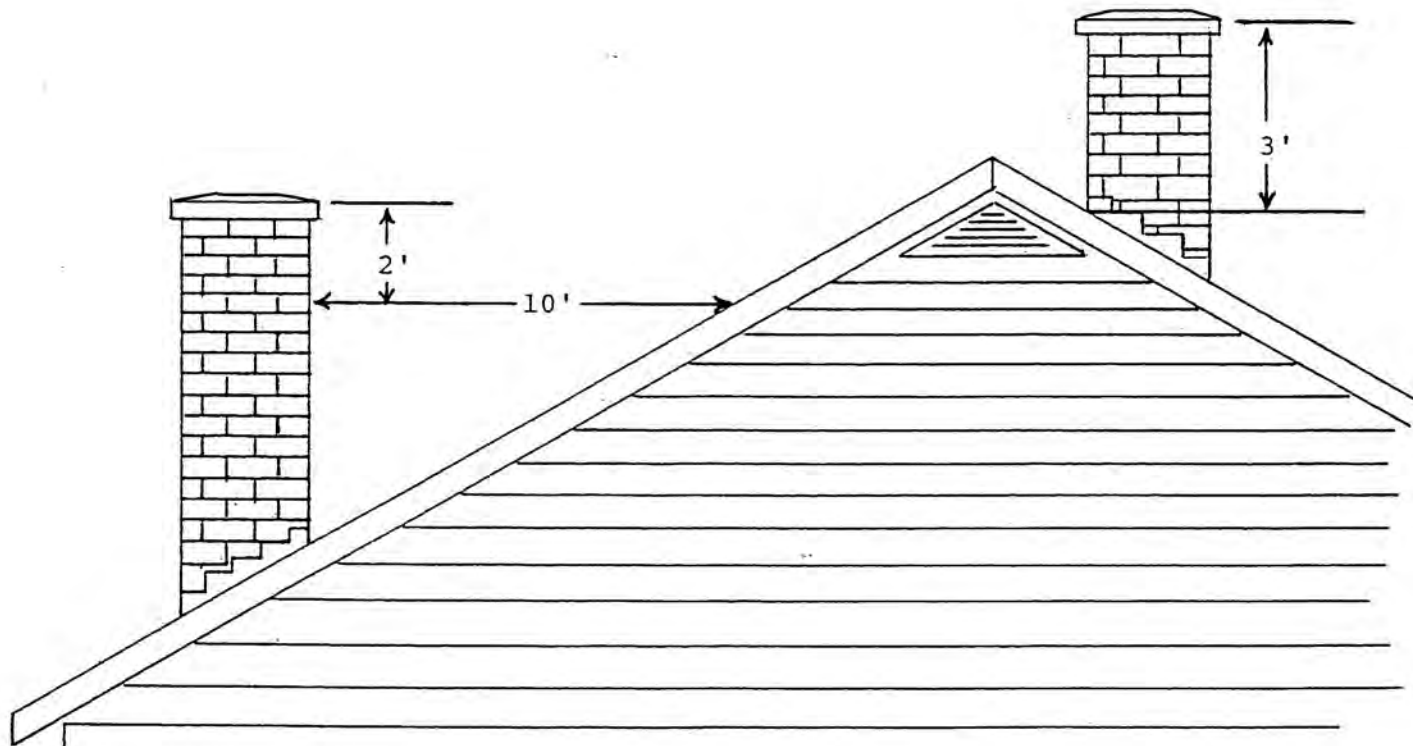
BURES CONSULTANTS, INC.
 Copyright 1998



TOTAL RELINING



Copyright, 1992, by SOLID/FLUE Chimney Systems, Inc.



BURES CONSULTANTS, INC.
Copyright 1998